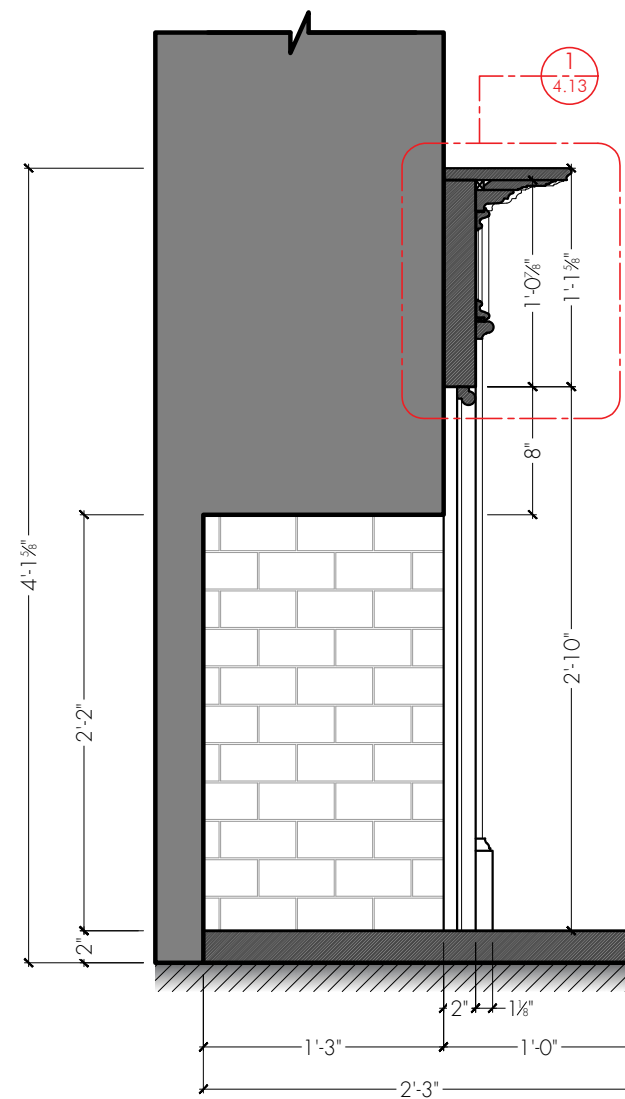


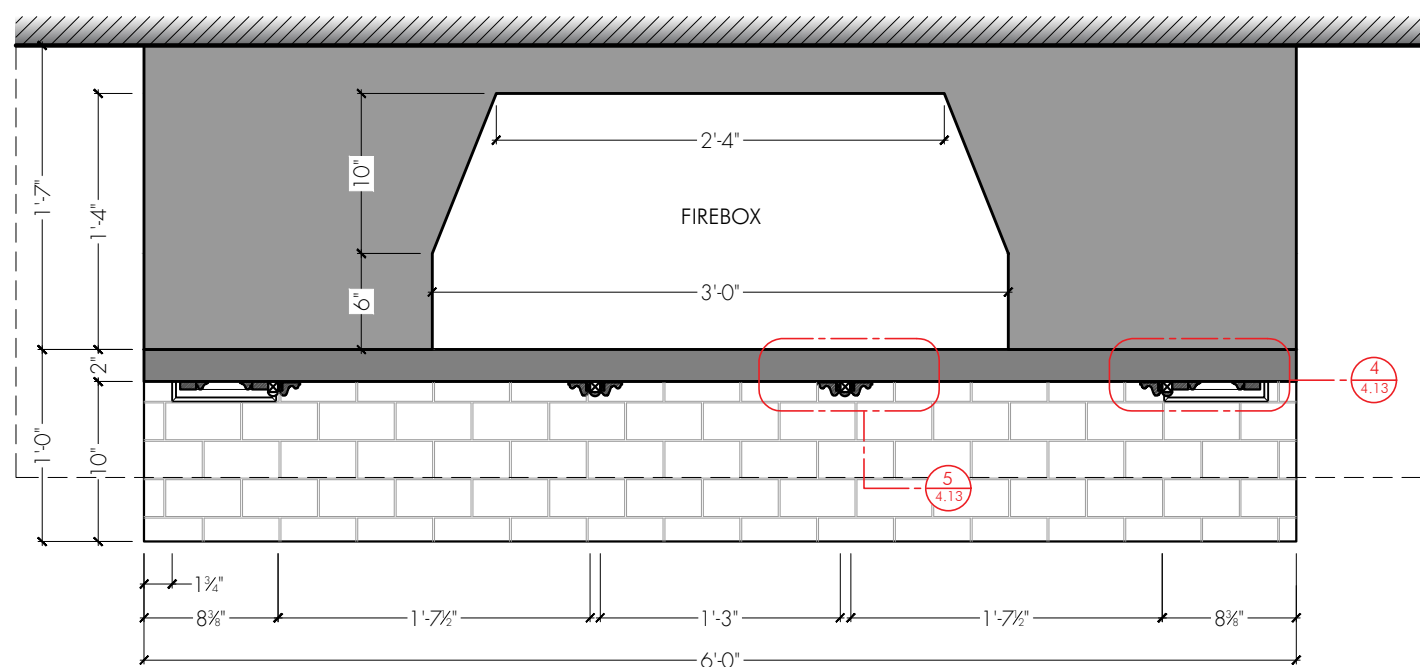
1 FIREPLACE DETAIL - ELEVATION  
4.12 SCALE: 1" = 1'-0"



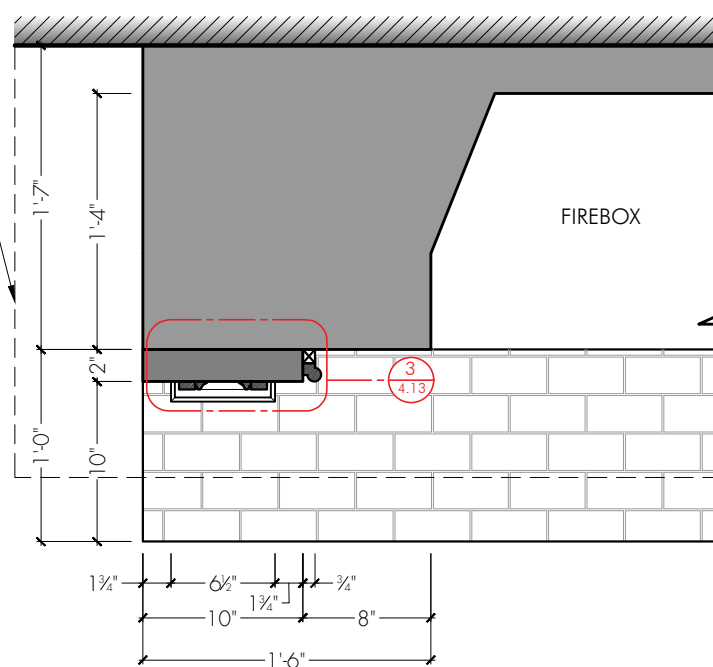
2 FIREPLACE DETAIL - SECTION  
4.12 SCALE: 1" = 1'-0"



3D REFERENCES



3 FIREPLACE DETAIL - PLAN  
4.12 SCALE: 1" = 1'-0"



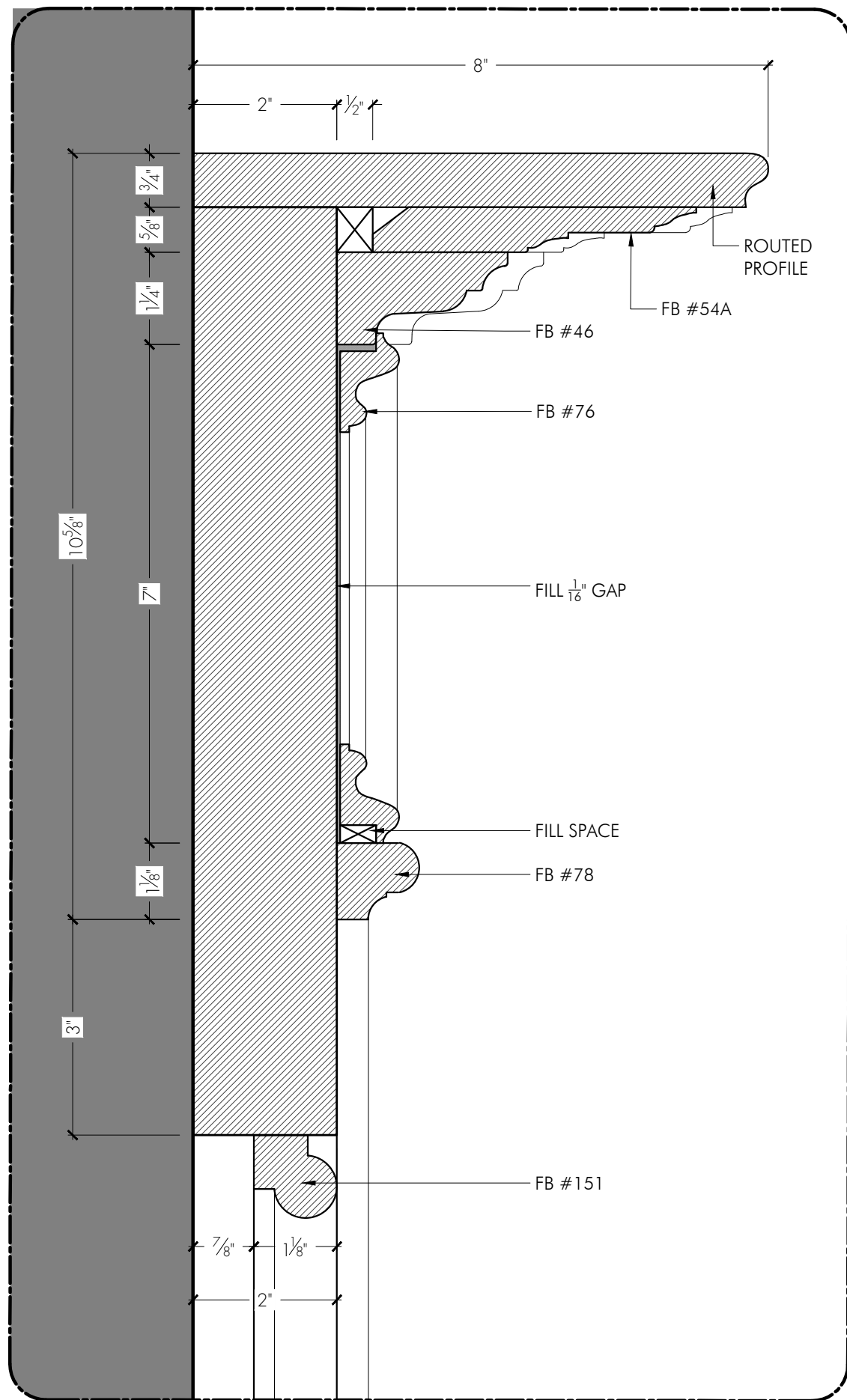
4 FIREPLACE DETAIL - PLAN  
4.12 SCALE: 1" = 1'-0"

\*REVISED AS BUILT\*

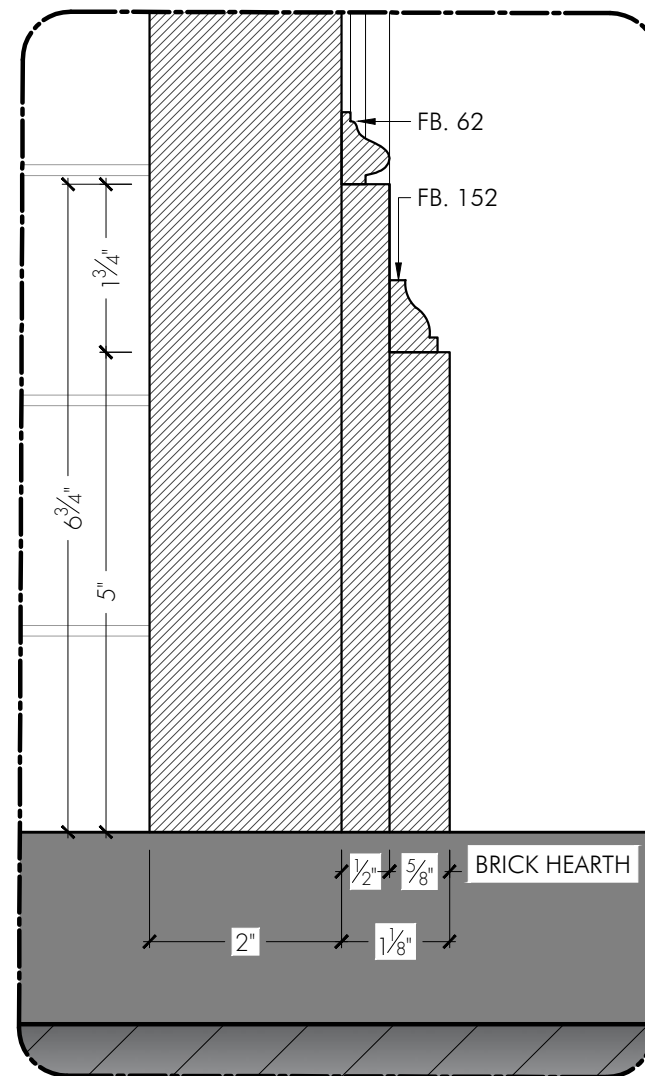
REVISION #1  
04/14/2022  
PRODUCTION DESIGNER

ISSUED  
04/04/2022  
PRODUCTION DESIGNER

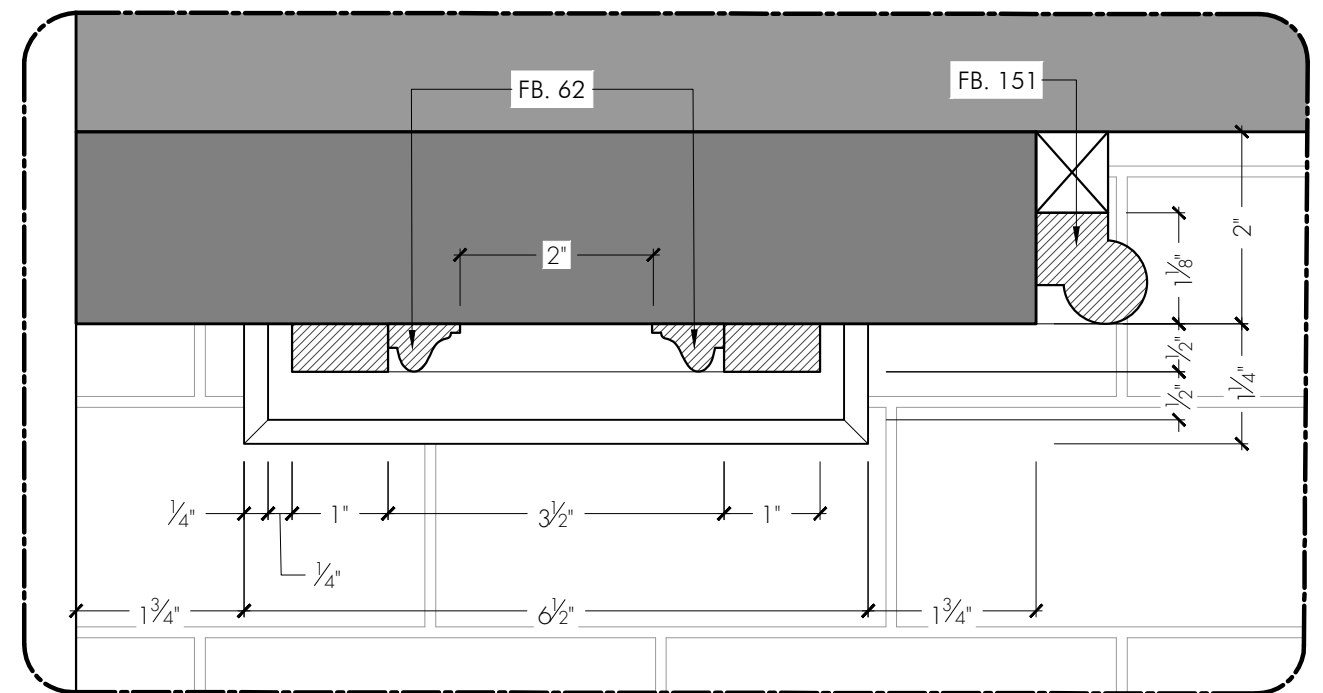
	SET NAME: INT - TALLY'S HOUSE	
	DRAWING: FIREPLACE DETAILS	
	LOCATION: STAGE 3	
	DRAWN BY: AM	
EP #: AMORT	SCALE: AS NOTED @ 11 x 17	DATE: April 14, 2022
PRODUCTION DESIGNER: ANDREW STEARN	SET #:	DWG #:
ART DIRECTOR: BRADLEY GREAVES	999-050	4.12



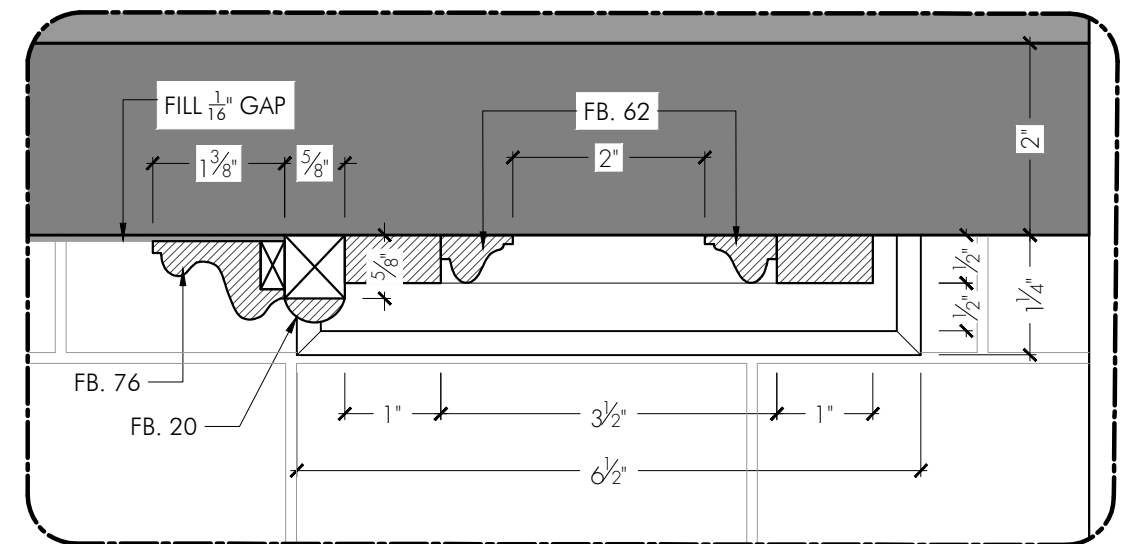
1 FIREPLACE - DETAIL  
4.13 SCALE: 6" = 1'-0"



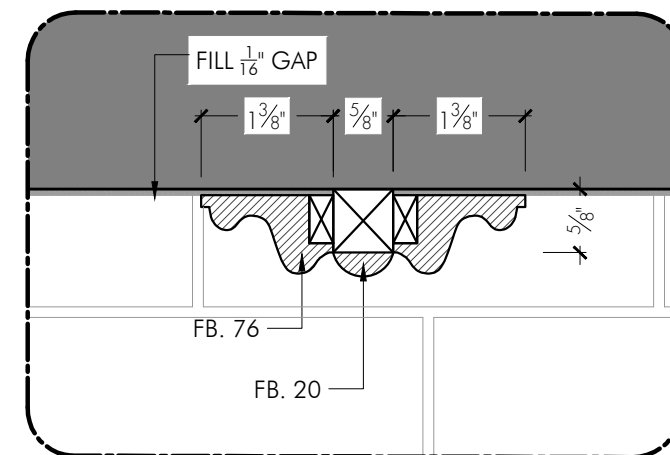
2 FIREPLACE - DETAIL  
4.13 SCALE: 6" = 1'-0"



3 FIREPLACE - DETAIL  
4.13 SCALE: 6" = 1'-0"



4 FIREPLACE - DETAIL  
4.13 SCALE: 6" = 1'-0"



5 FIREPLACE - DETAIL  
4.13 SCALE: 6" = 1'-0"

ISSUED  
04/04/2022  
PRODUCTION DESIGNER

<b>UTAP</b>	SET NAME: INT - TALLY'S HOUSE	
	DRAWING: FIREPLACE DETAILS	
	LOCATION: STAGE 3	
	DRAWN BY: AM	
EP #: AMORT	SCALE: AS NOTED @ 11 x 17	DATE: April 4, 2022
PRODUCTION DESIGNER: ANDREW STEARN	SET #:	DWG #:
ART DIRECTOR: BRADLEY GREAVES	<b>999-050</b>	<b>4.13</b>