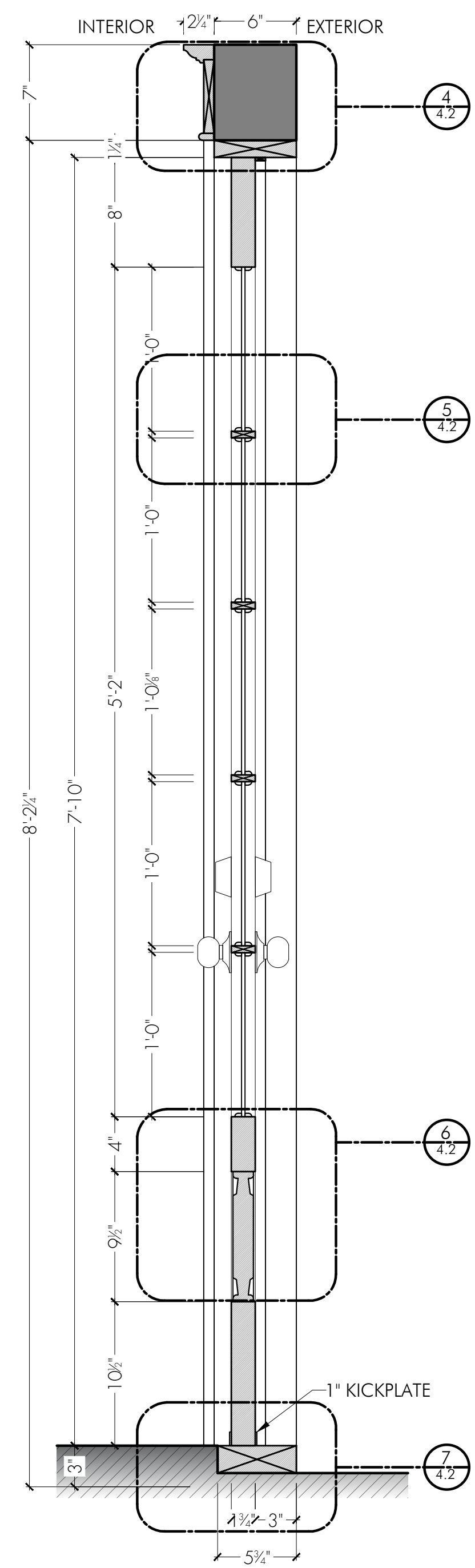
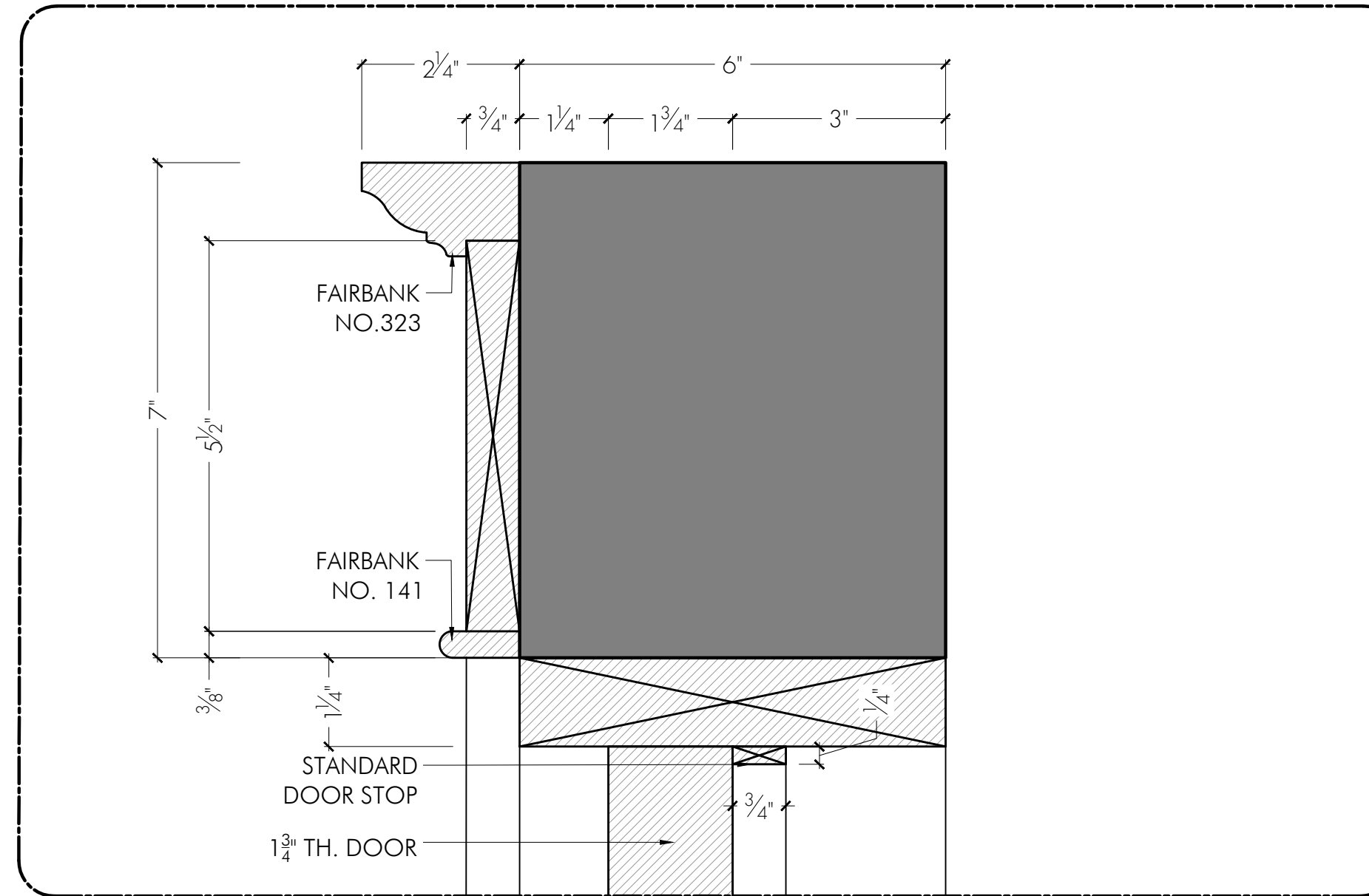


1 "D2" DOOR ELEVATION (INTERIOR SIDE)
SCALE: 1-1/2" = 1'-0"

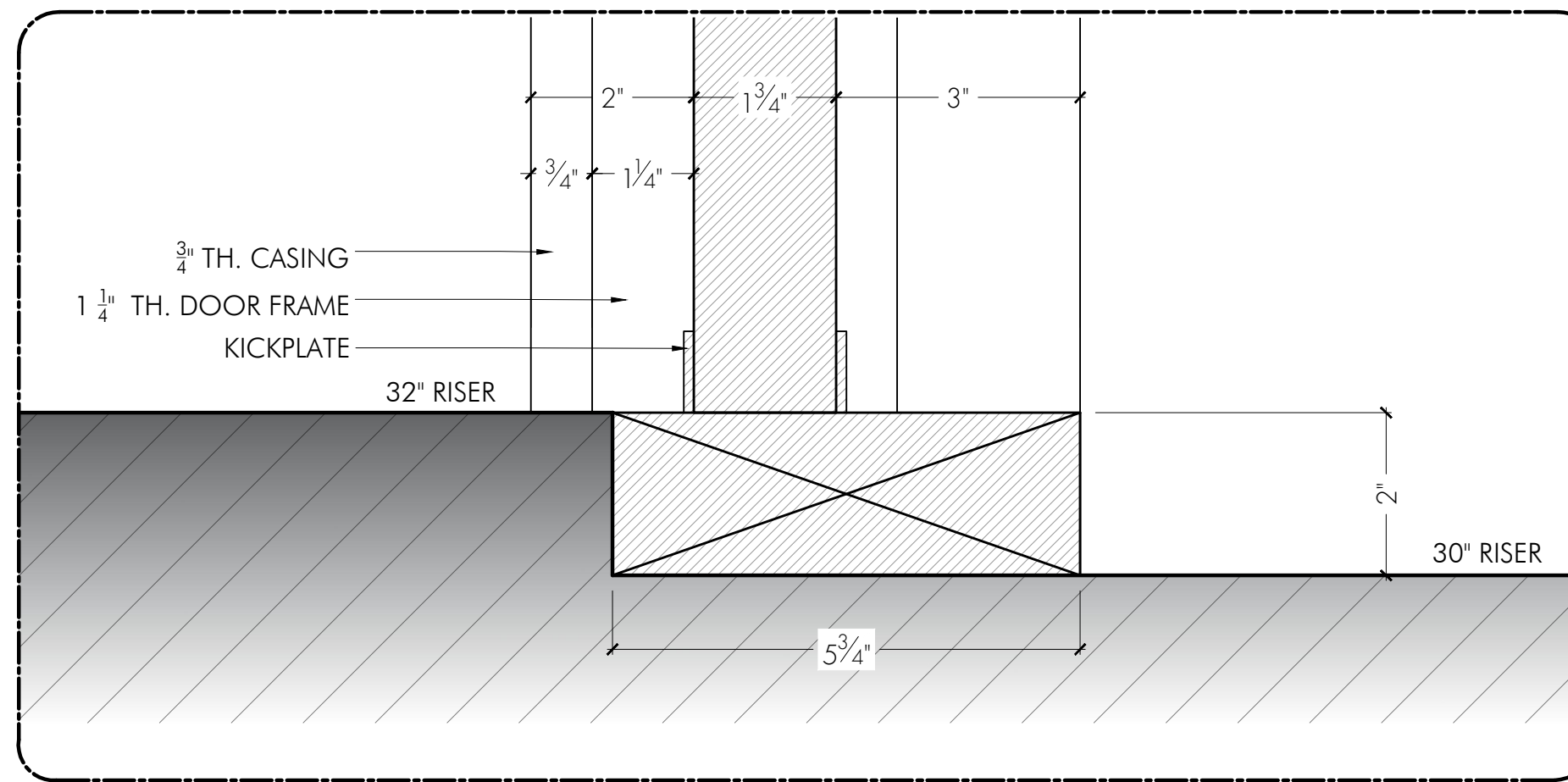


2 "D2" DOOR SECTION
SCALE: 1-1/2" = 1'-0"

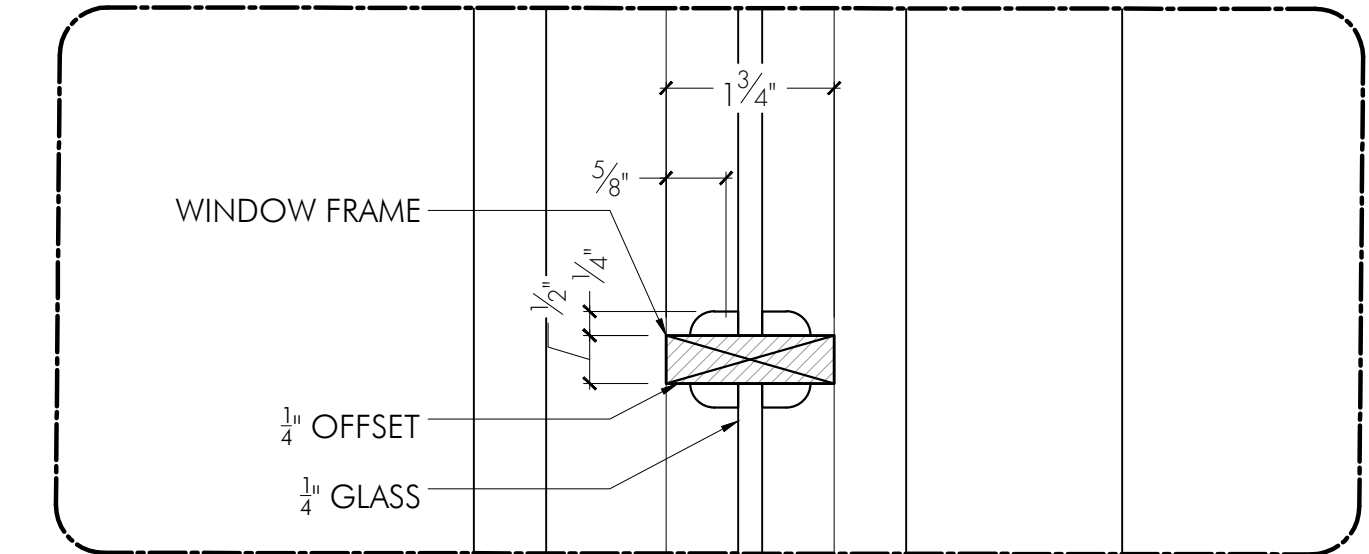
TYP. DOOR SECTION DETAILS



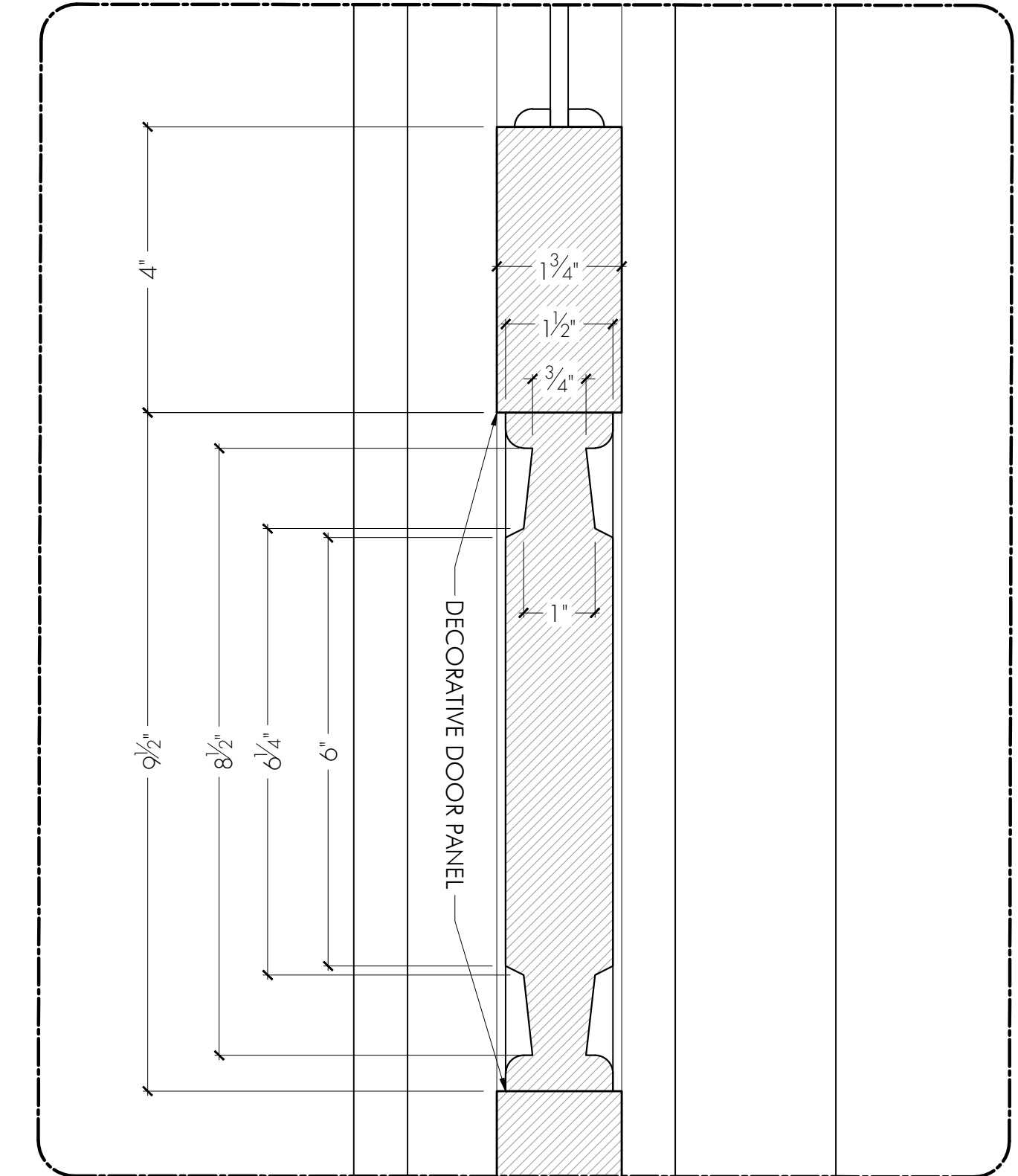
4 "D2" DOOR SECTION DETAIL
SCALE: 6" = 1'-0"



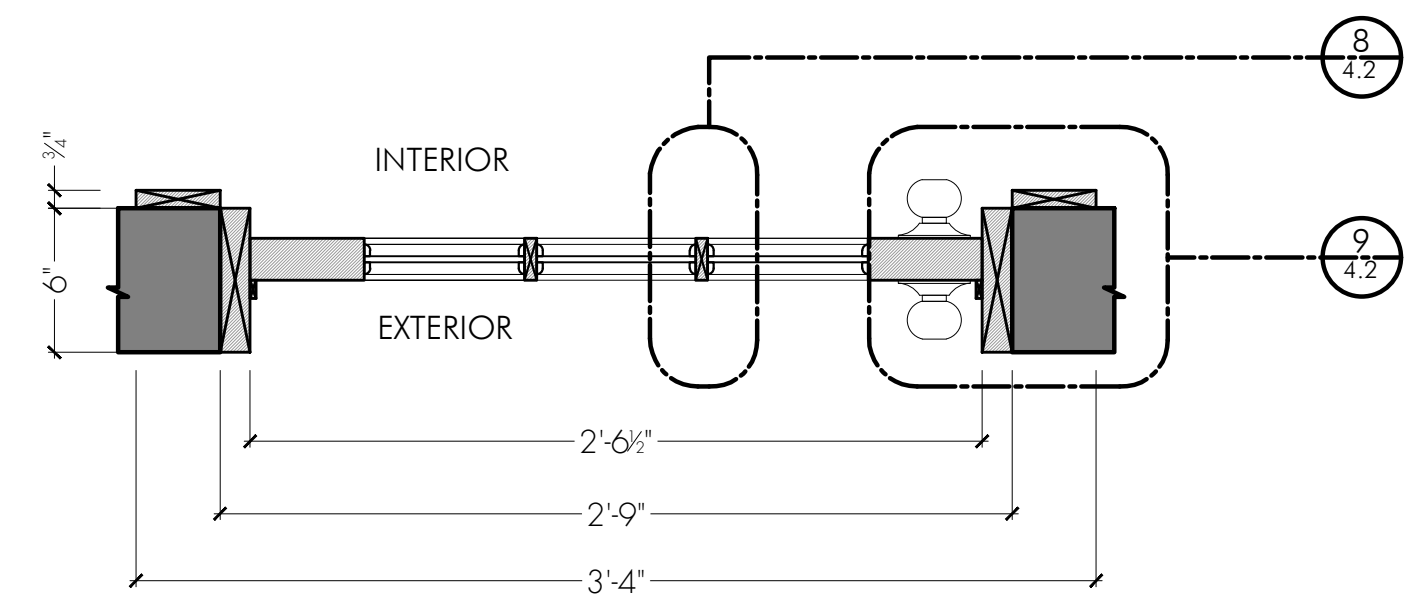
7 "D2" DOOR PLAN DETAIL
SCALE: 6" = 1'-0"



5 "D2" DOOR SECTION DETAIL
SCALE: 6" = 1'-0"

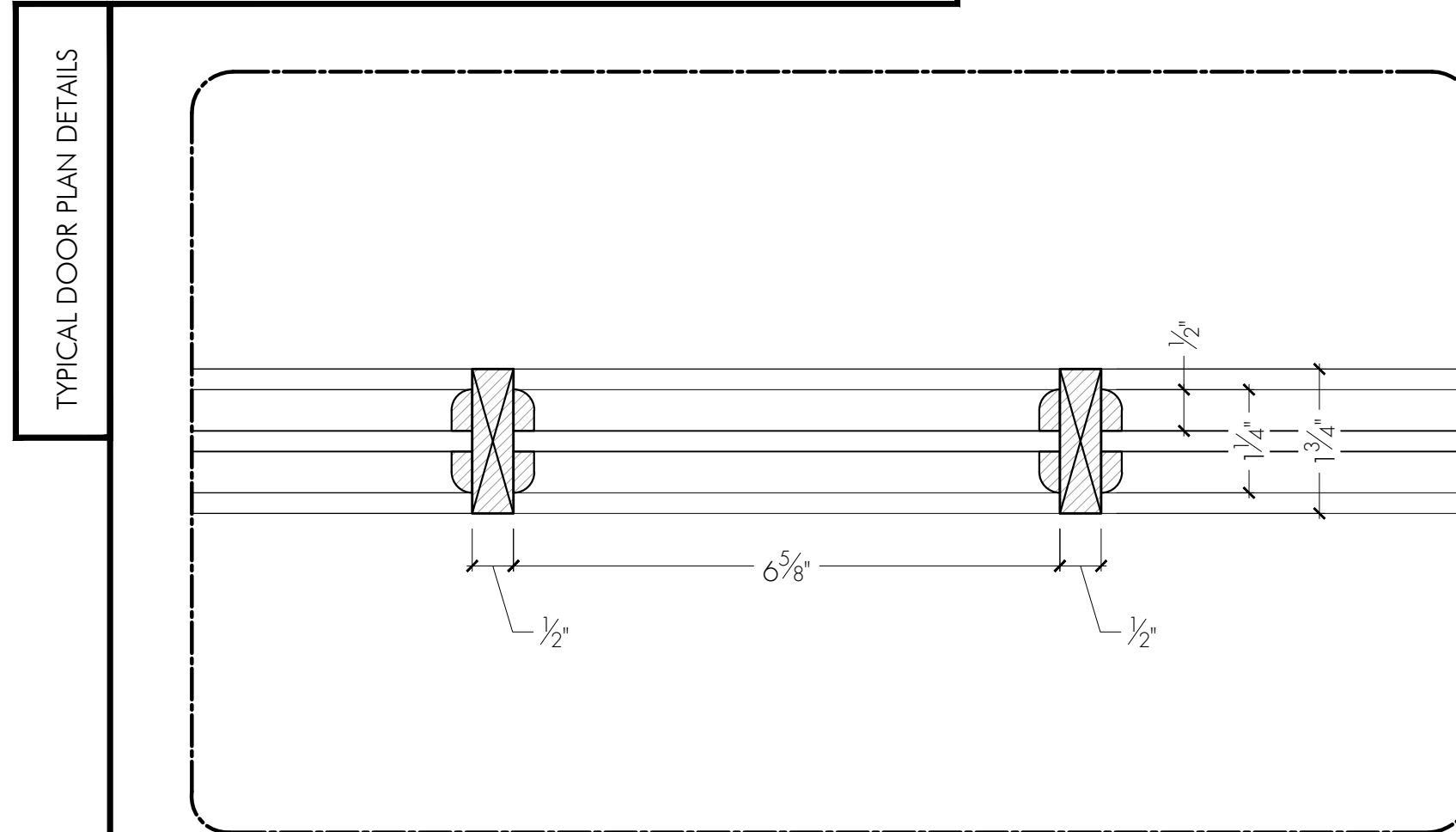


6 "D2" DOOR SECTION DETAIL
SCALE: 6" = 1'-0"

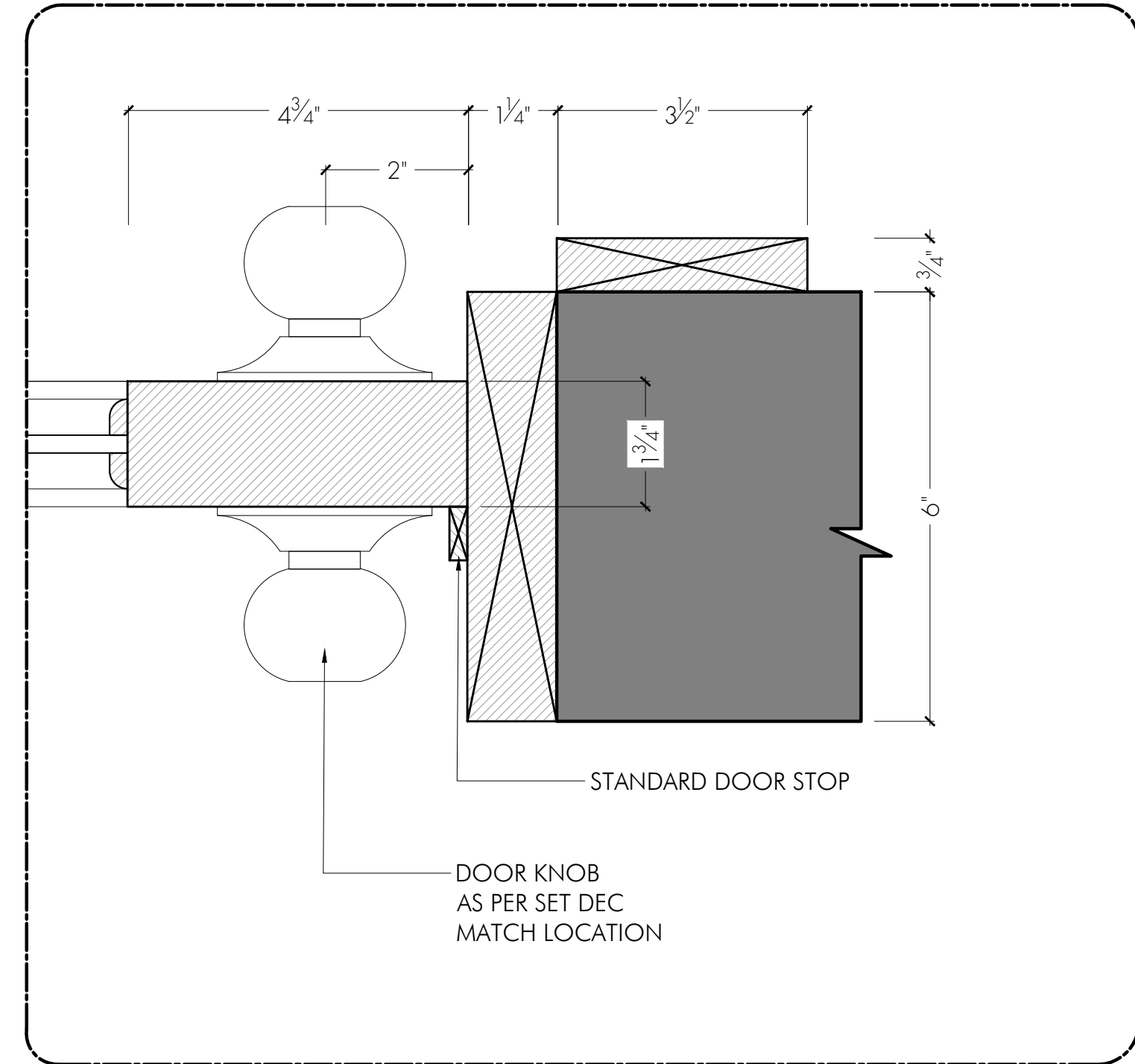


3 "D2" DOOR PLAN
SCALE: 1-1/2" = 1'-0"

MAKE X 4 INTERIOR ONLY

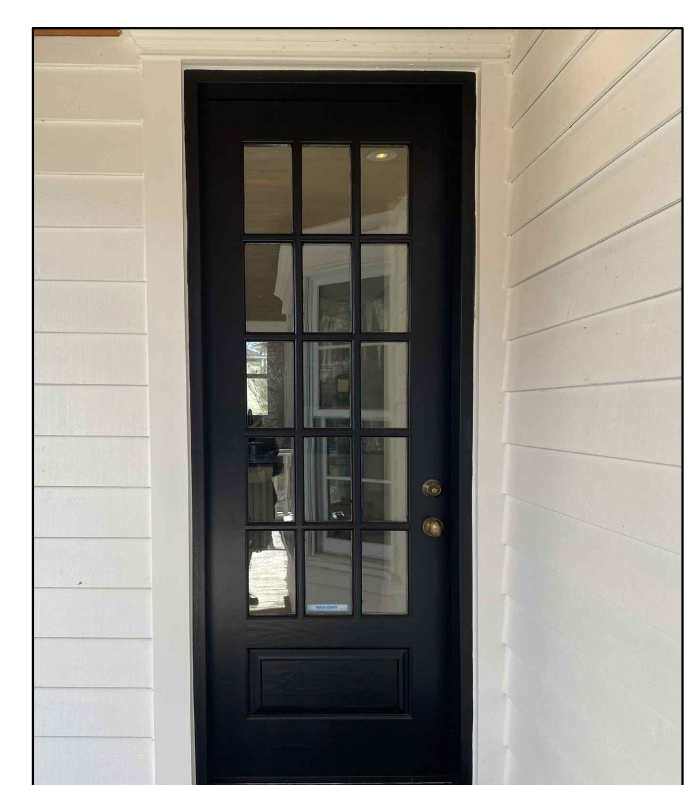


8 "D2" DOOR PLAN DETAIL
SCALE: 6" = 1'-0"



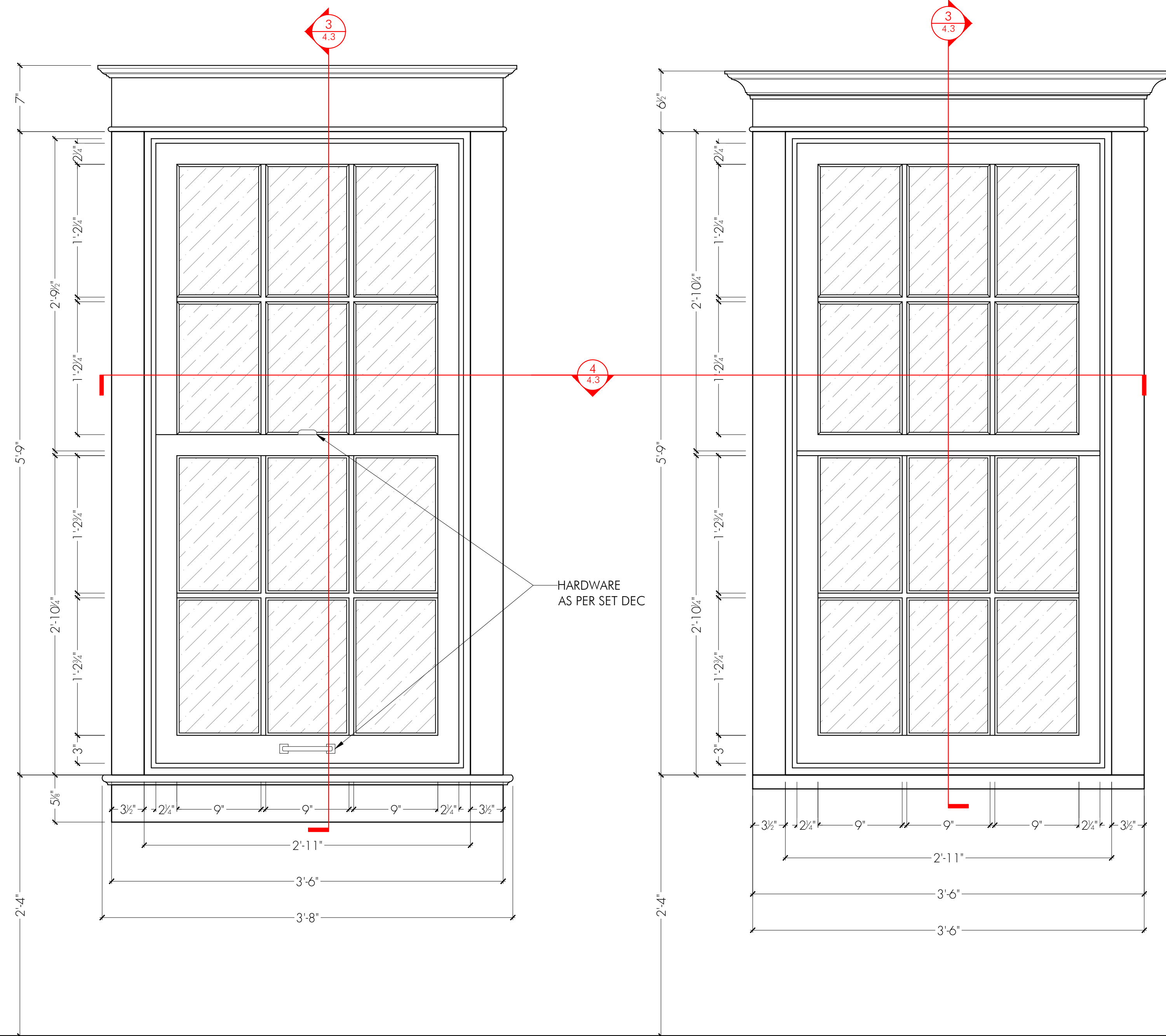
9 "D2" DOOR PLAN DETAIL
SCALE: 6" = 1'-0"

- NOTES
- 1 - DOOR HARDWARE AS PER SET DEC TO MATCH LOCATION
 - 2 - DOOR PAINTED BLACK TO MATCH LOCATION
 - 3- CASINGS/ TRIMS PAINT WHITE TO MATCH LOCATION



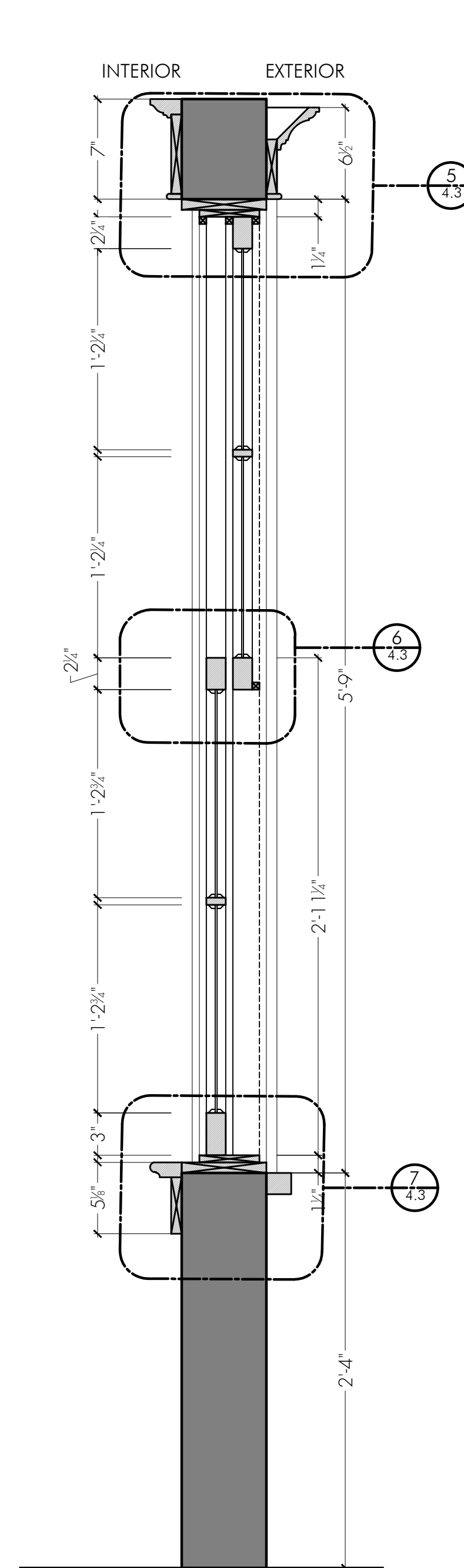
ISSUED
03/23/22
PRODUCTION DESIGNER

UTAP	SET NAME: EXT/ INT - TALLY'S HOUSE
	DRAWING: "D2" DOOR DETAILS
EP # AMORT	LOCATION: STAGE G
PRODUCTION DESIGNER: ANDREW STEARN	DRAWN BY: AM
ART DIRECTOR: BRADLEY GREAVES	SCALE: AS NOTED @ 24 x 36
	DATE: March 23, 2022
	SET #: 999-050
	DWG #: 4.2



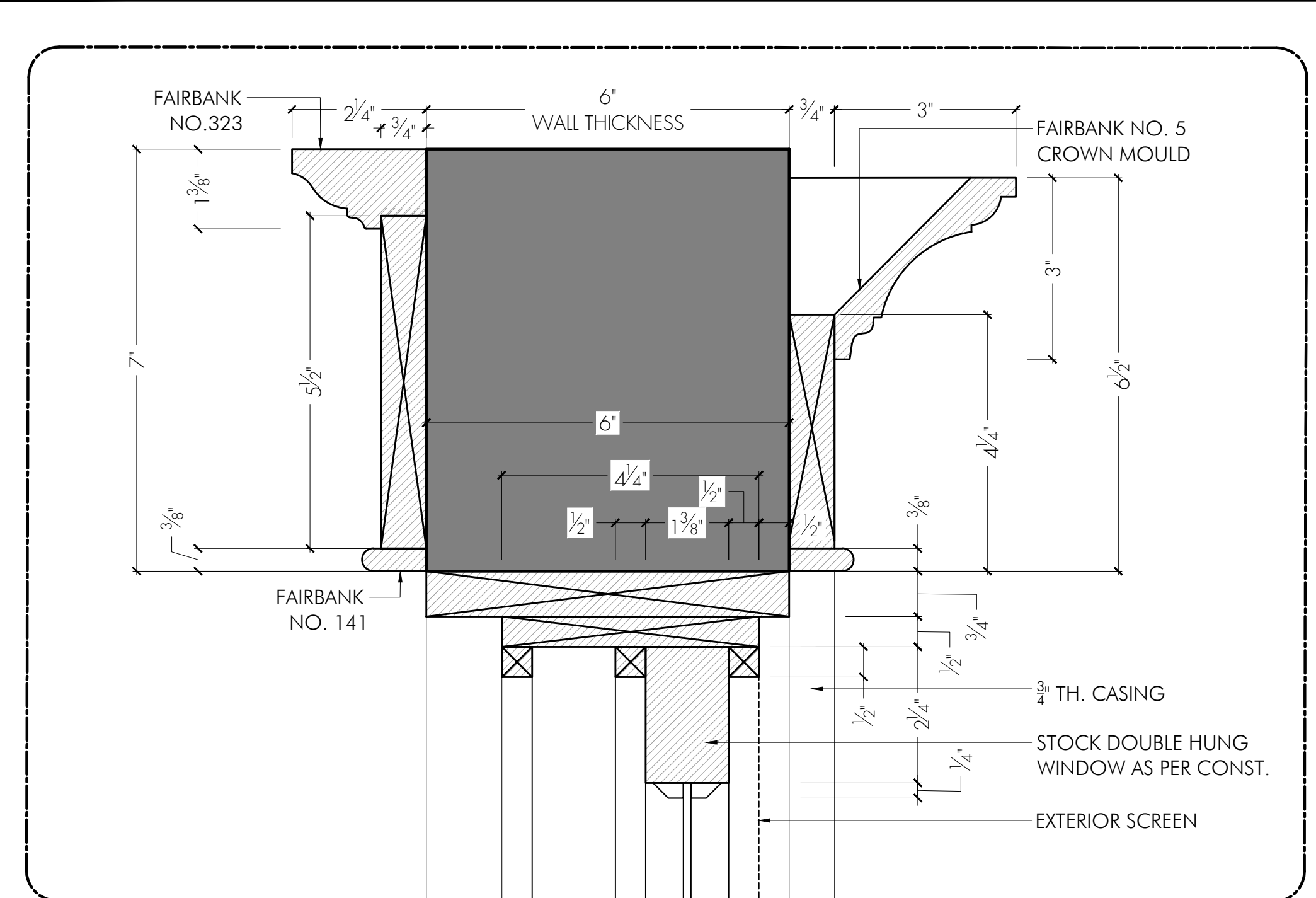
1 "W1" WINDOW ELEVATION (INTERIOR SIDE)
SCALE: 1-1/2" = 1'-0"

2 "W1" WINDOW ELEVATION (EXTERIOR SIDE)
SCALE: 1-1/2" = 1'-0"

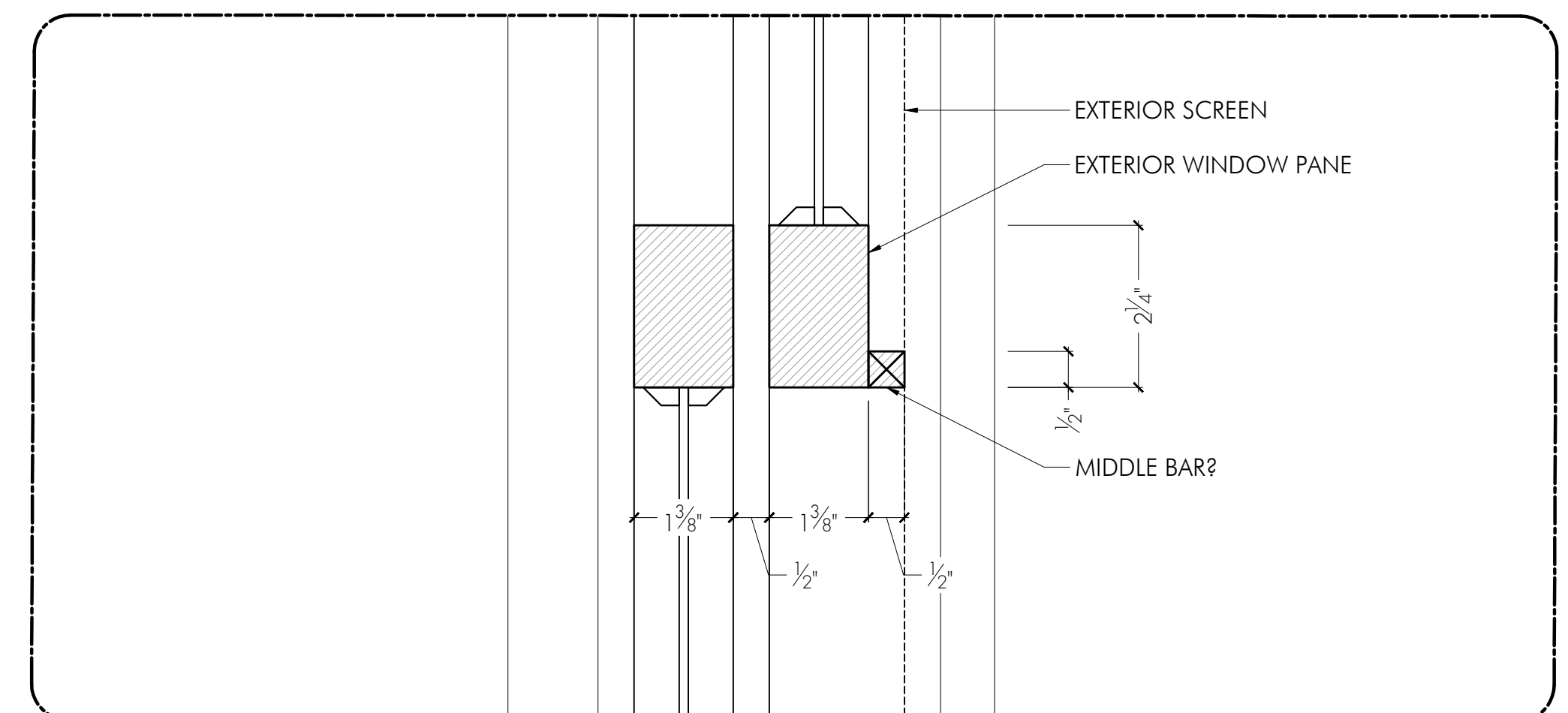


3 "W1" WINDOW SECTION
SCALE: 1-1/2" = 1'-0"

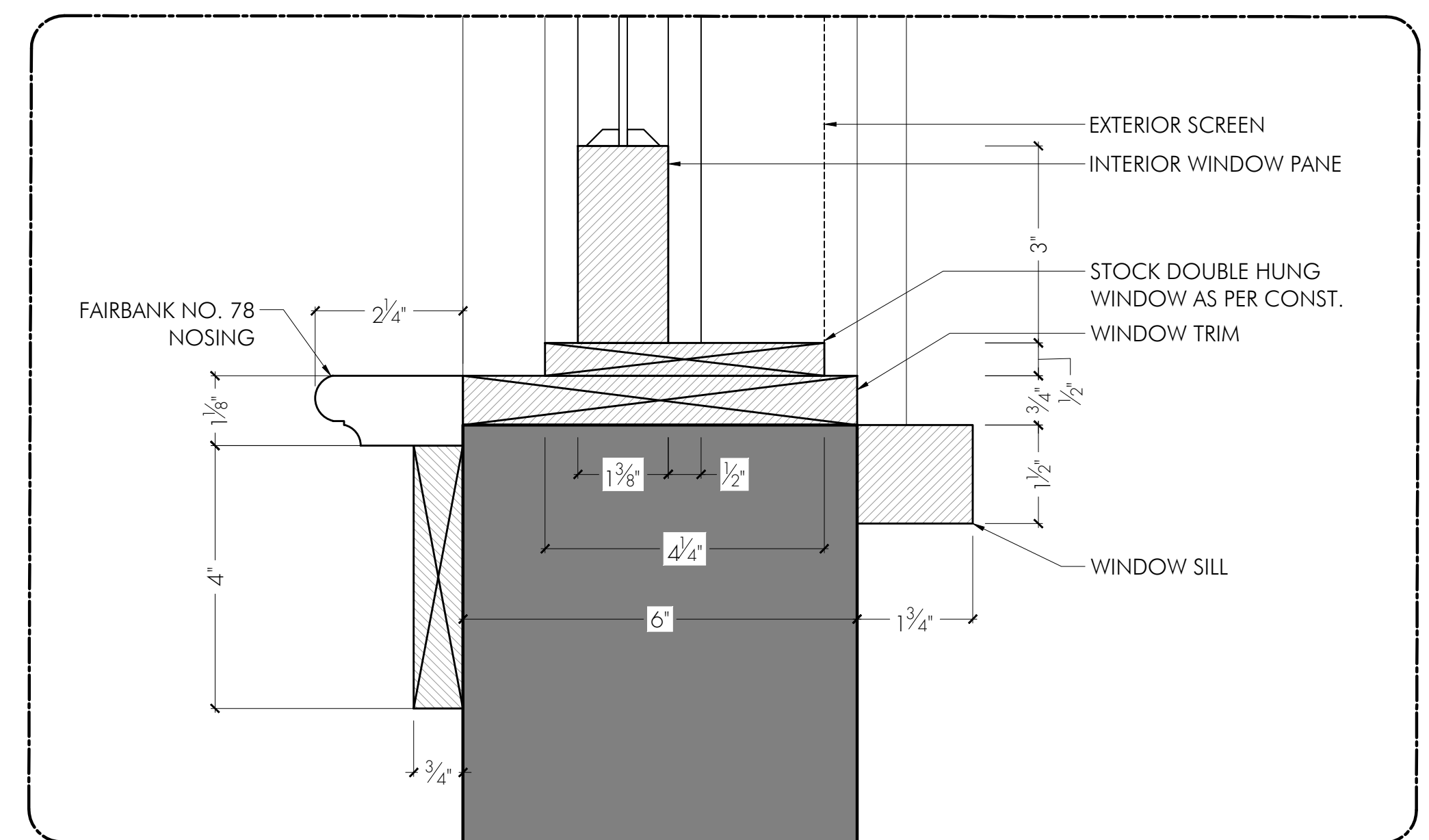
TYP. WINDOW SECTION DETAILS



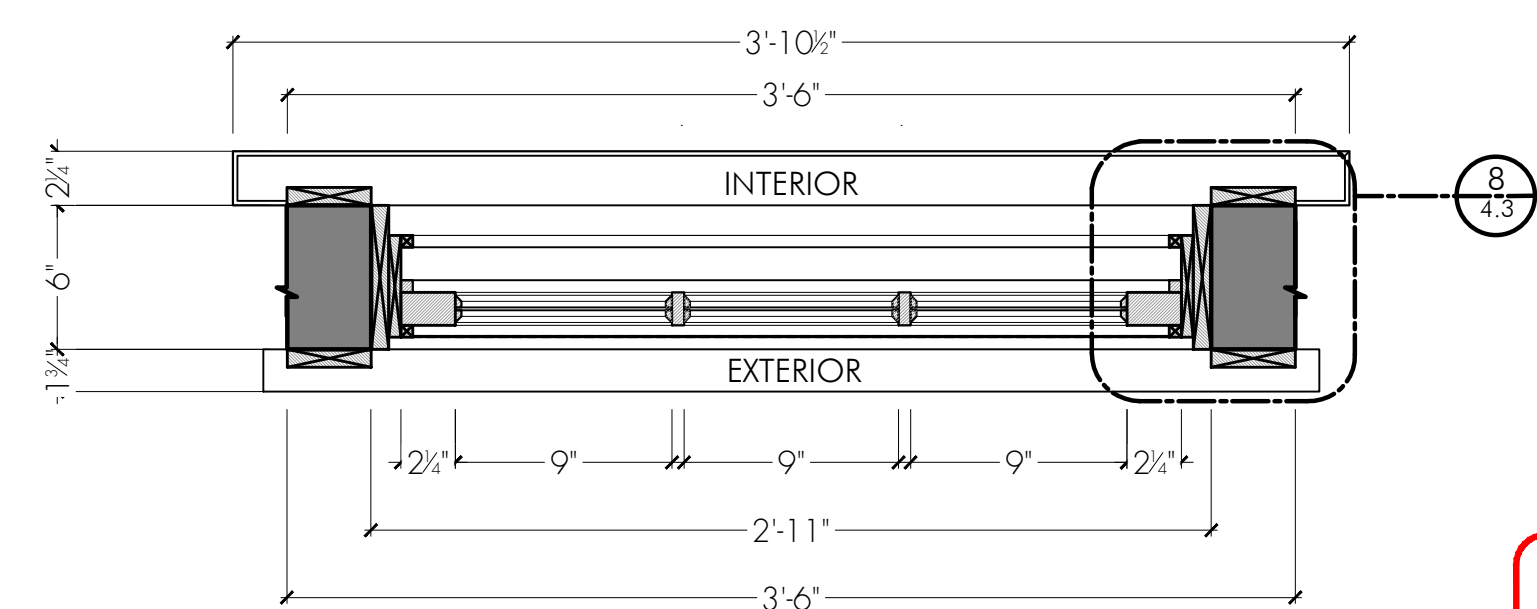
5 "W1" WINDOW SECTION DETAILS
SCALE: 6" = 1'-0"



6 "W1" WINDOW SECTION DETAILS
SCALE: 6" = 1'-0"



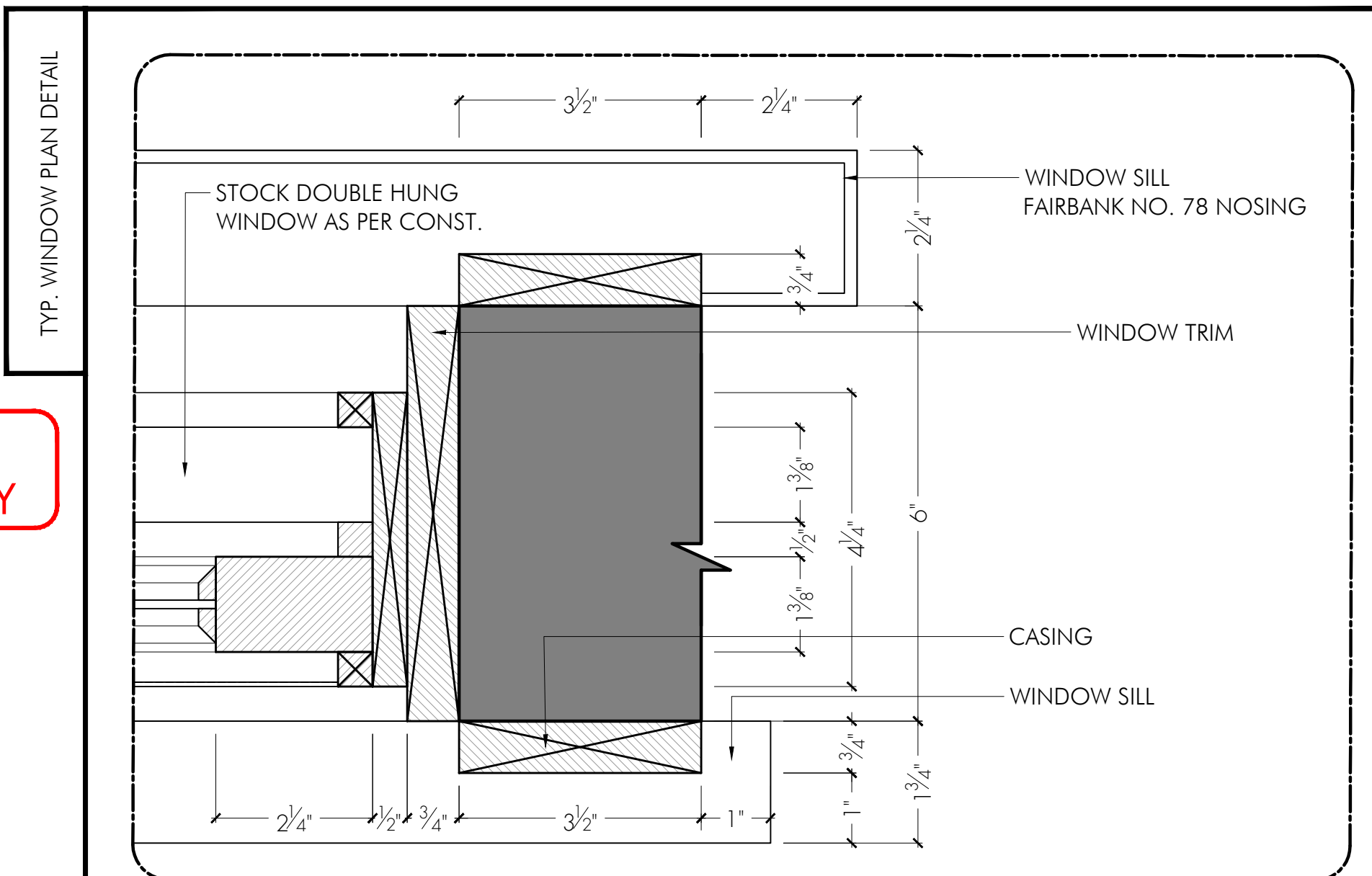
7 "W1" WINDOW SECTION DETAILS
SCALE: 6" = 1'-0"



4 "W1" WINDOW PLAN
SCALE: 1-1/2" = 1'-0"

- NOTES
- 1- FAIRBANK MOULDS AND TRIMS AS SHOWN
 - 2- STOCK DOUBLE HUNG WINDOW AS PER CONSTRUCTION
 - 3- ALL TRIMS/ CASINGS PAINTED WHITE

MAKE X 4 DBL SIDED
MAKE X 2 INTERIOR ONLY



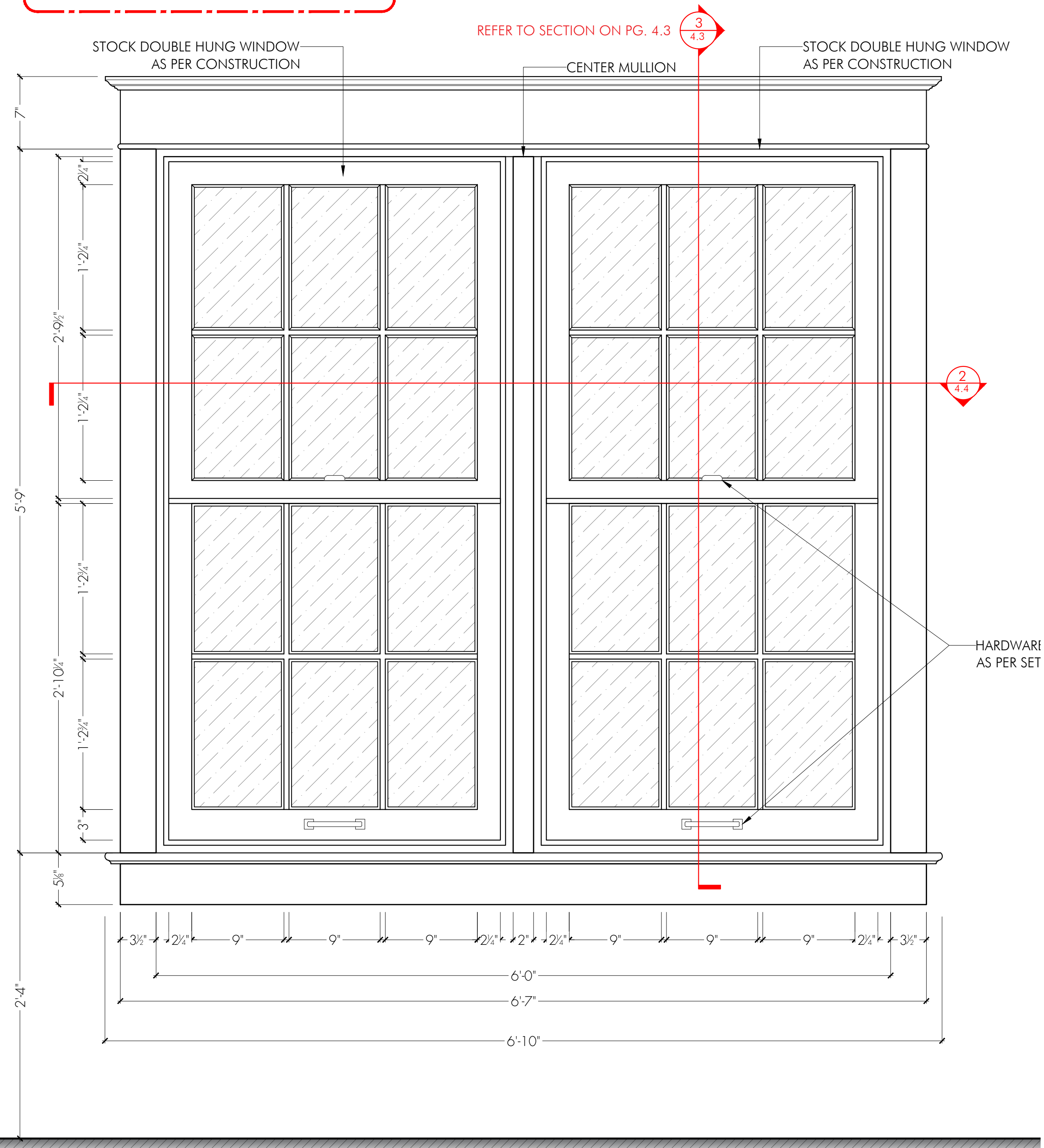
8 "W1" WINDOW PLAN DETAIL
SCALE: 6" = 1'-0"

UTAP	SET NAME: EXT/ INT - TALLY'S HOUSE
	DRAWING: "W1" SINGLE WINDOW DETAILS
	LOCATION: STAGE 3
	DRAWN BY: AM
EP #: AMORT	SCALE: AS NOTED @ 24 x 36
PRODUCTION DESIGNER: ANDREW STEARN	DATE: March 23, 2022
ART DIRECTOR: BRADLEY GREAVES	SET #: 999-050
	DWG #: 4.3

ISSUED
03/23/22
PRODUCTION DESIGNER

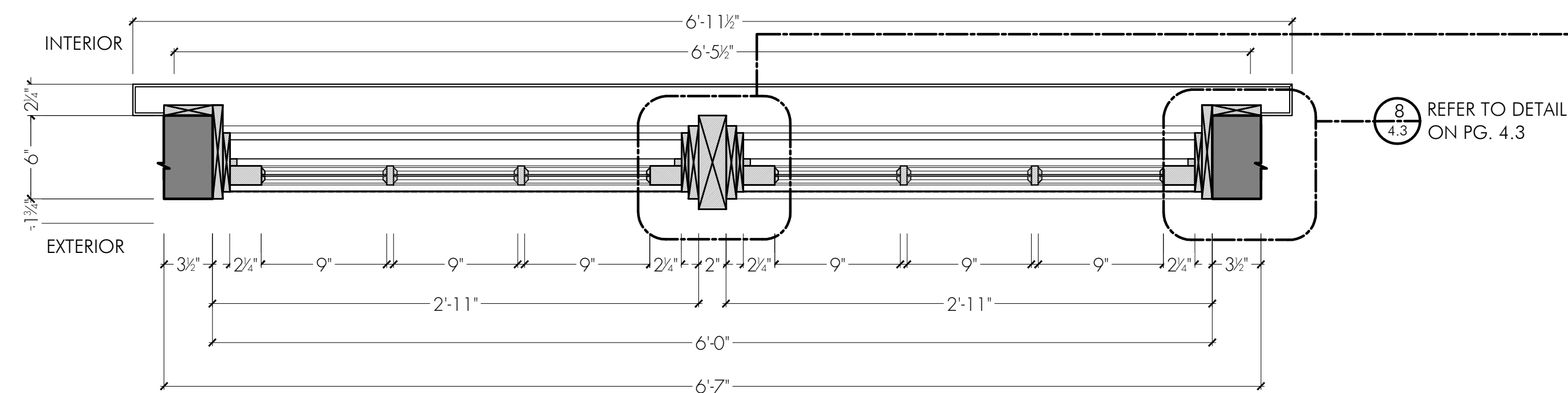
MAKE X 1 INTERIOR SIDE ONLY

REFER TO SECTION ON PG. 4.3



- NOTES
- 1 - CHECK PG 4.3 FOR ALL WINDOW CASING DETAILS
 - 2 - STOCK DOUBLE HUNG WINDOW (X2) AS PER CONSTRUCTION
 - 3 - ALL TRIMS/ CASINGS PAINTED WHITE

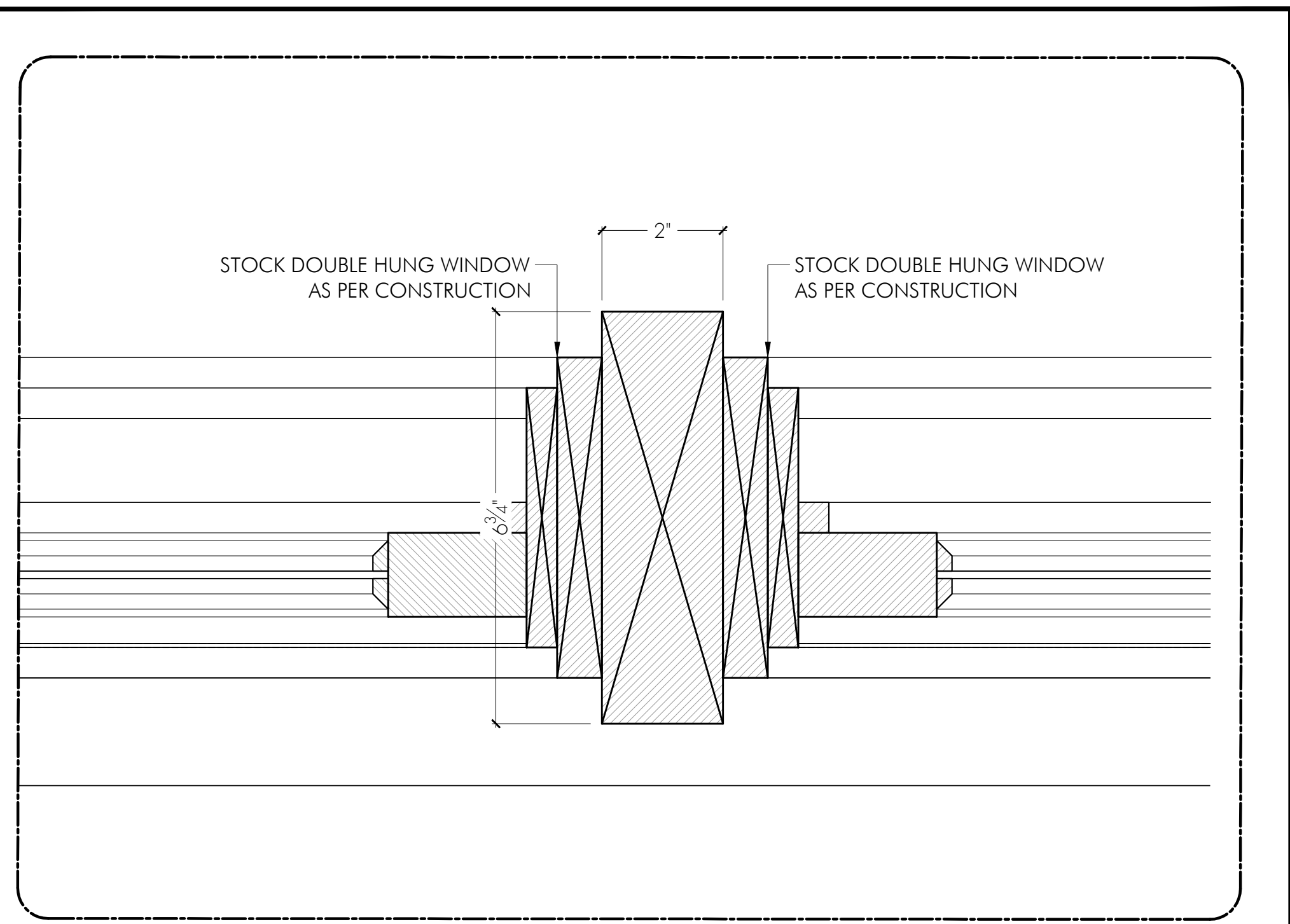
1 "W2" DOUBLE WINDOW ELEVATION (EXTERIOR SIDE)
SCALE: 1-1/2" = 1'-0"



2 "W2" WINDOW PLAN
SCALE: 1-1/2" = 1'-0"

8 REFER TO DETAIL ON PG. 4.3

TYP. WINDOW SECTION DETAILS

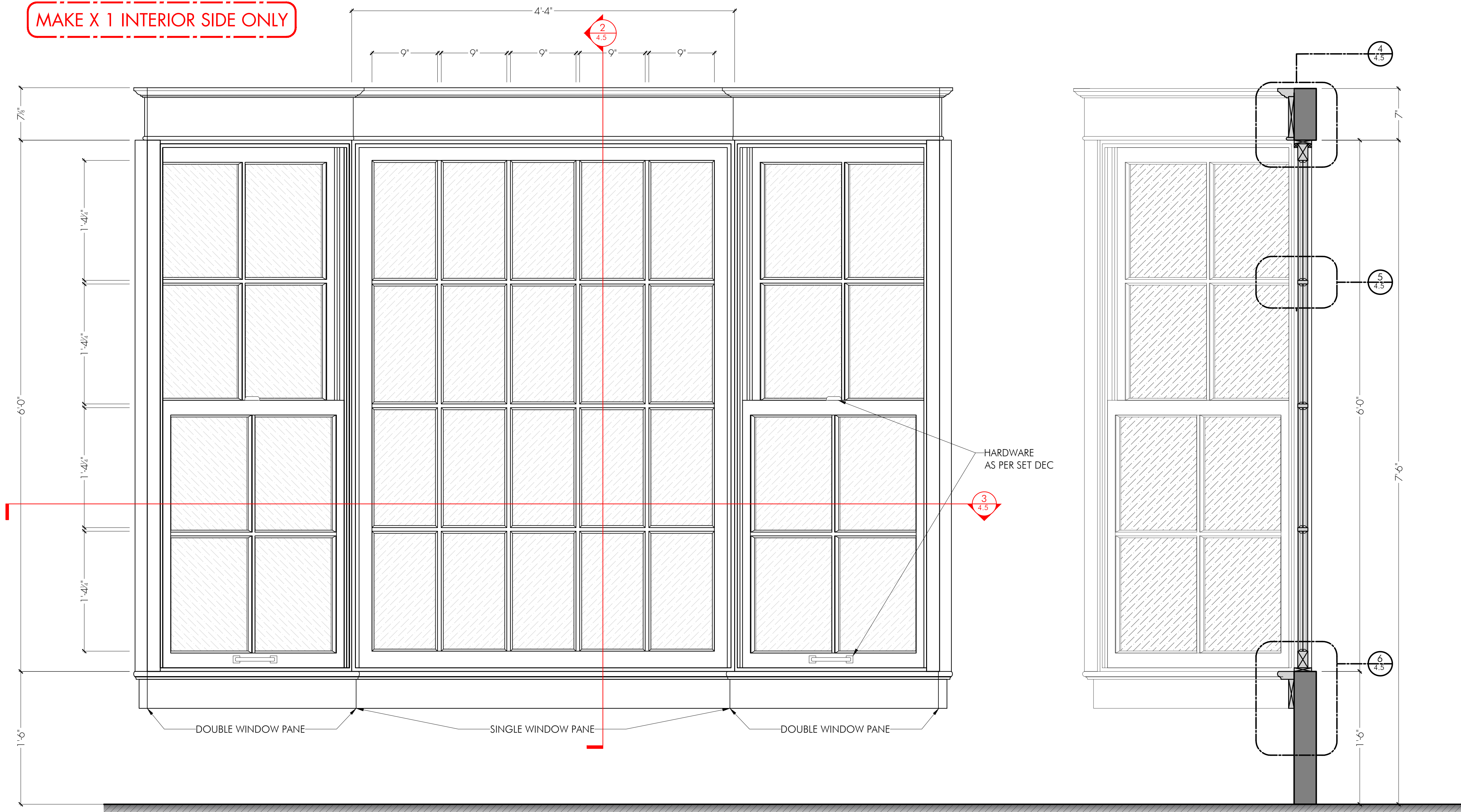


3 "W2" DOUBLE WINDOW PLAN DETAILS
SCALE: 6" = 1'-0"

ISSUED
03/23/22
PRODUCTION DESIGNER

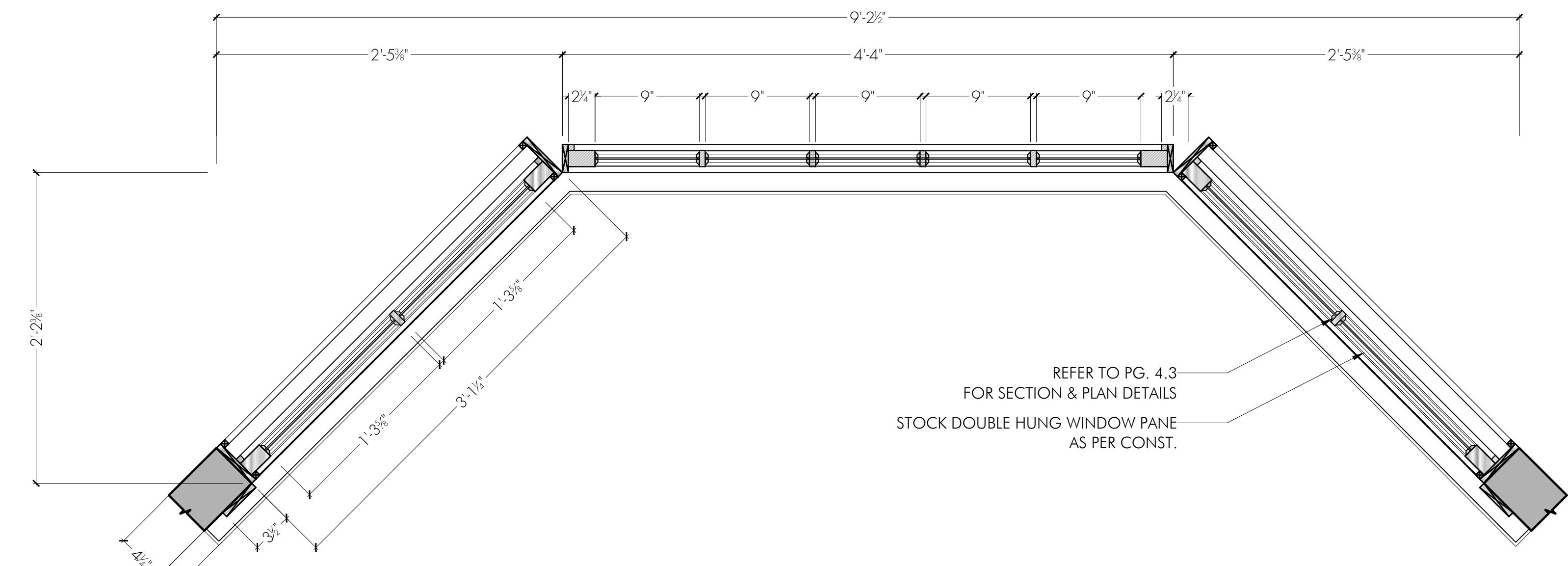
UTAP	SET NAME: EXT/ INT - TALLY'S HOUSE
	DRAWING: "W2" DBL WINDOW DETAILS
EP # AMORT	LOCATION: STAGE 3
PRODUCTION DESIGNER: ANDREW STEARN	DRAWN BY: AM
ART DIRECTOR: BRADLEY GREAVES	SCALE: AS NOTED @ 24 x 36
	DATE: March 23, 2022
	SET #: 999-050
	DWG #: 4.4

MAKE X 1 INTERIOR SIDE ONLY



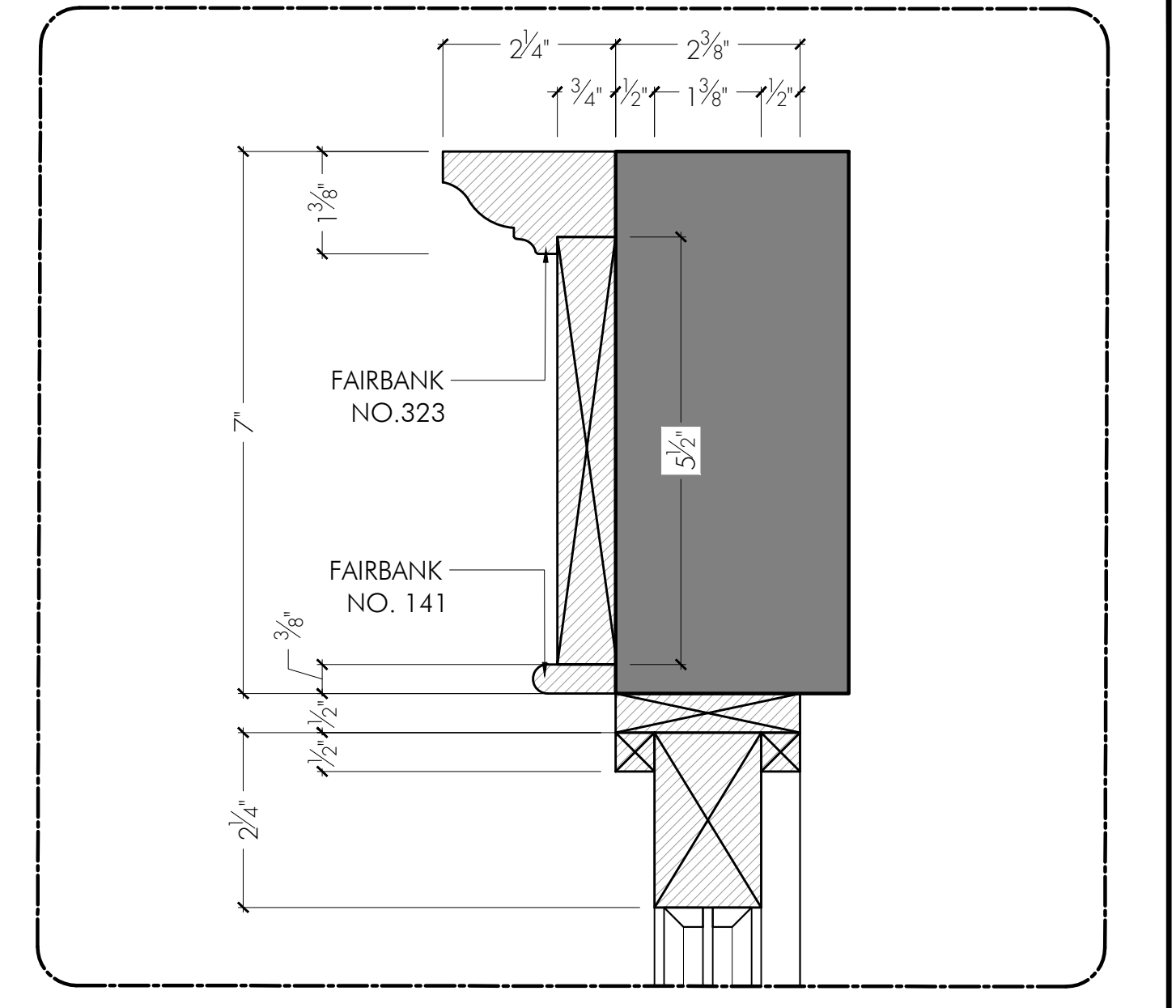
1 "W3" BAY WINDOW ELEVATION (INTERIOR SIDE)
SCALE: 1-1/2" = 1'-0"

2 "W3" BAY WINDOW SECTION
SCALE: 1-1/2" = 1'-0"

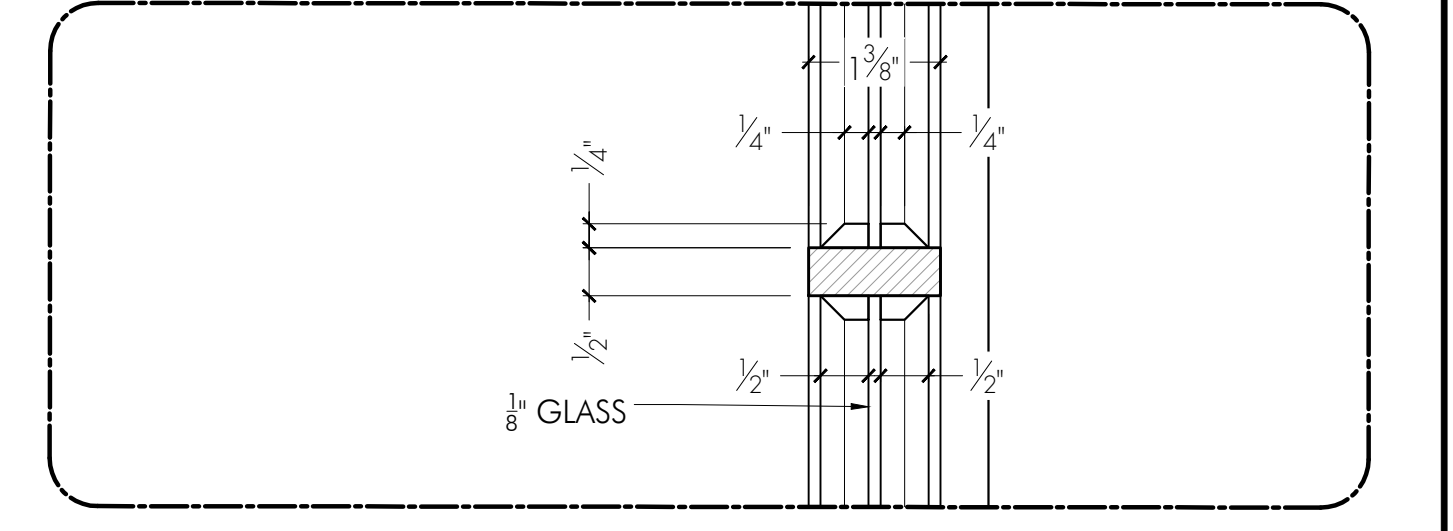


3 "W3" BAY WINDOW PLAN
SCALE: 1-1/2" = 1'-0"

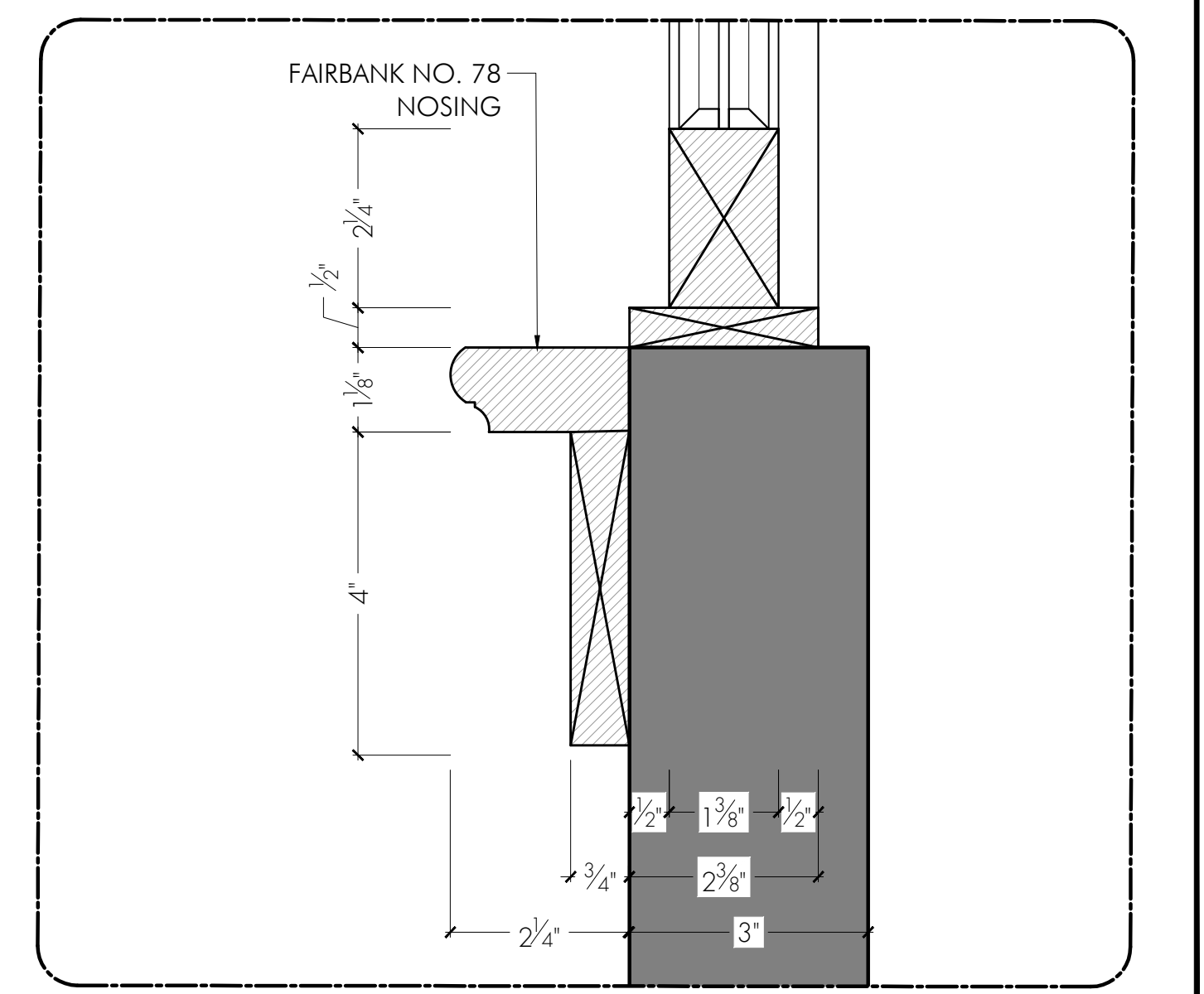
BAY WINDOW DETAILS



4 "W3" SINGLE WINDOW PANE DETAIL
SCALE: 6" = 1'-0"



5 "W3" SINGLE WINDOW PANE DETAIL
SCALE: 6" = 1'-0"



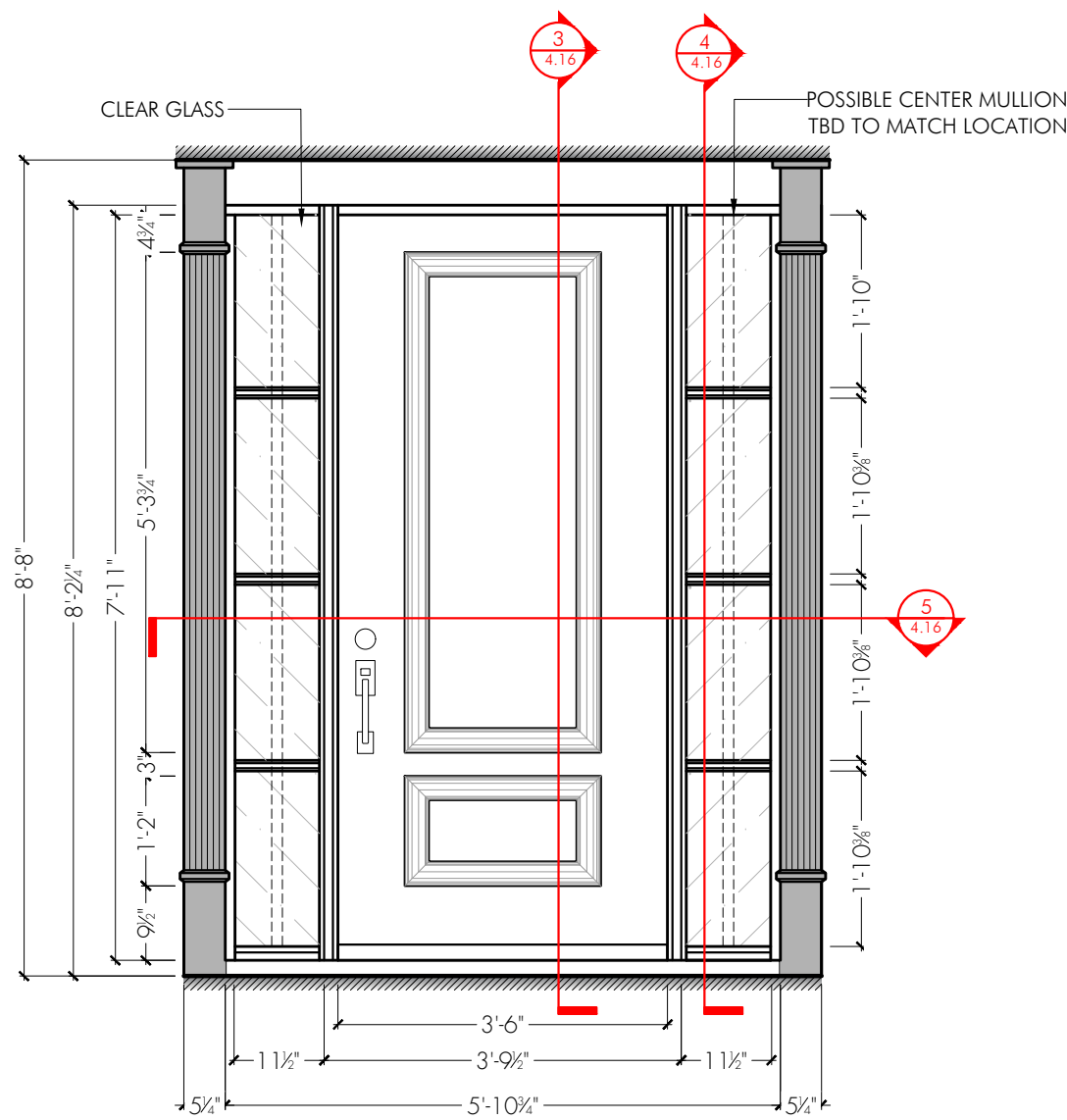
6 "W3" SINGLE WINDOW PANE DETAIL
SCALE: 6" = 1'-0"



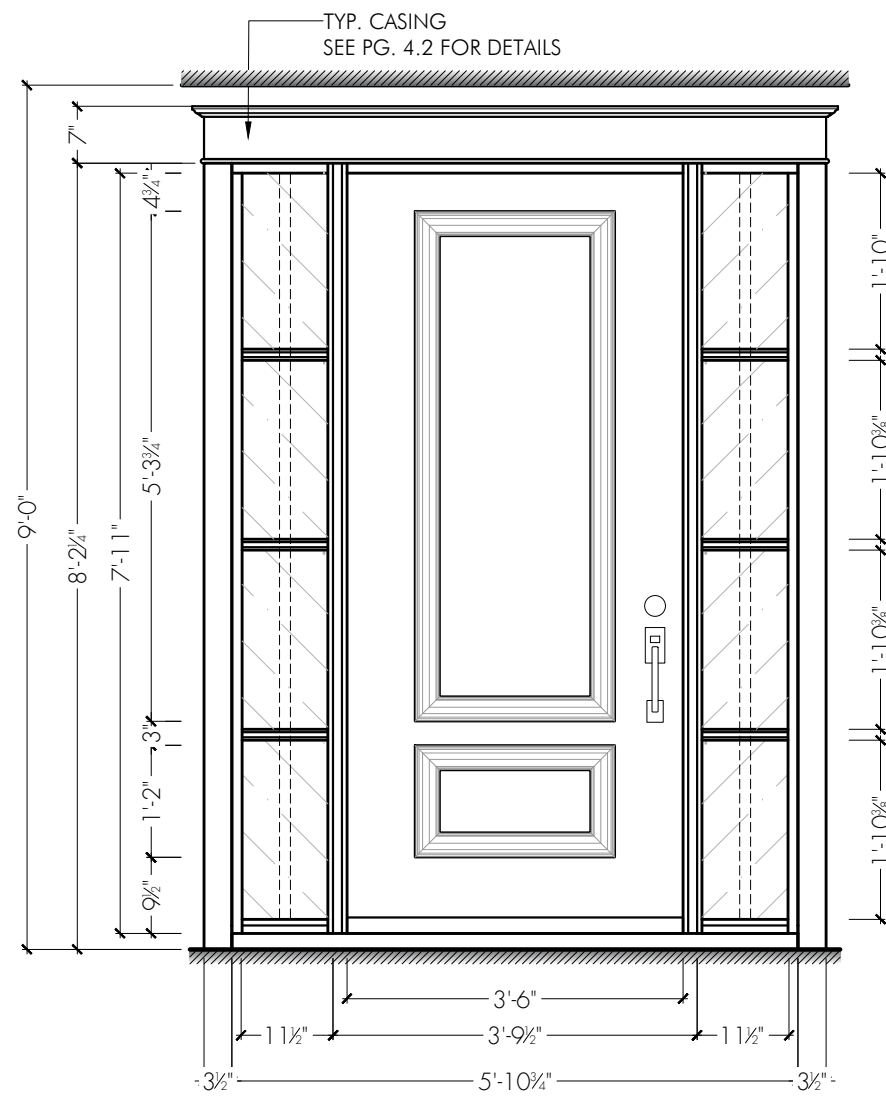
LOCATION IMAGE
REFERENCE FOR WINDOW PANES ONLY
CASING TO BE AS DETAILED IN DRAWING

ISSUED
03/23/22
PRODUCTION DESIGNER

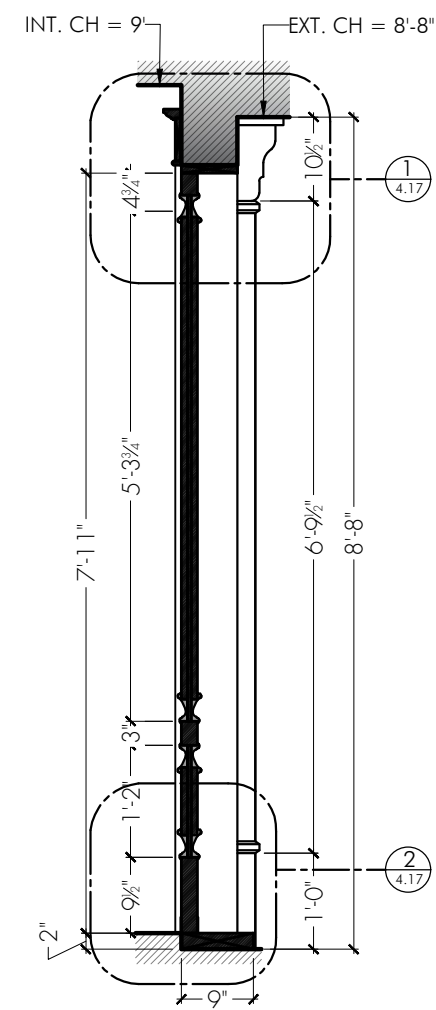
	SET NAME: EXT/ INT - TALLY'S HOUSE
	DRAWING: "W3" BAY WINDOW DETAILS
	LOCATION: STAGE 3
	DRAWN BY: AM
EP # AMORT	SCALE: AS NOTED @ 24 x 36
PRODUCTION DESIGNER: ANDREW STEARN	DATE: March 23, 2022
ART DIRECTOR: BRADLEY GREAVES	SET #: 999-050
	DWG #: 4.5



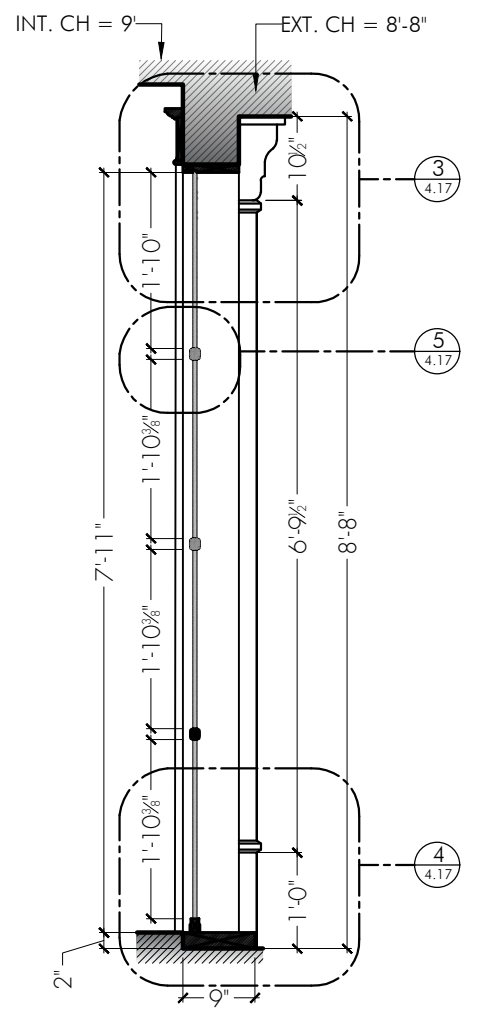
1 FRONT DOOR - EXTERIOR ELEVATION
SCALE: 1/2" = 1'-0"



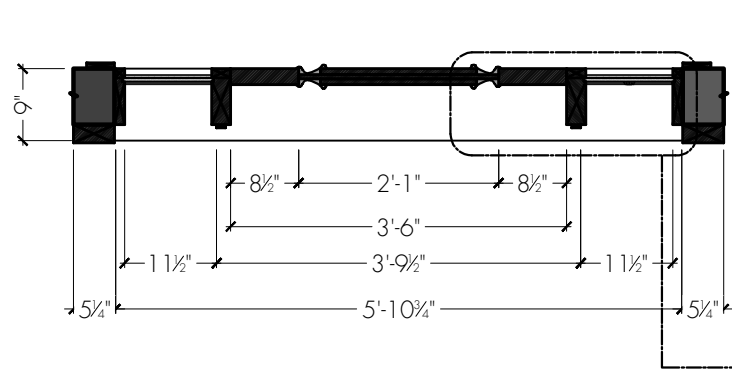
2 FRONT DOOR - INTERIOR ELEVATION
SCALE: 1/2" = 1'-0"



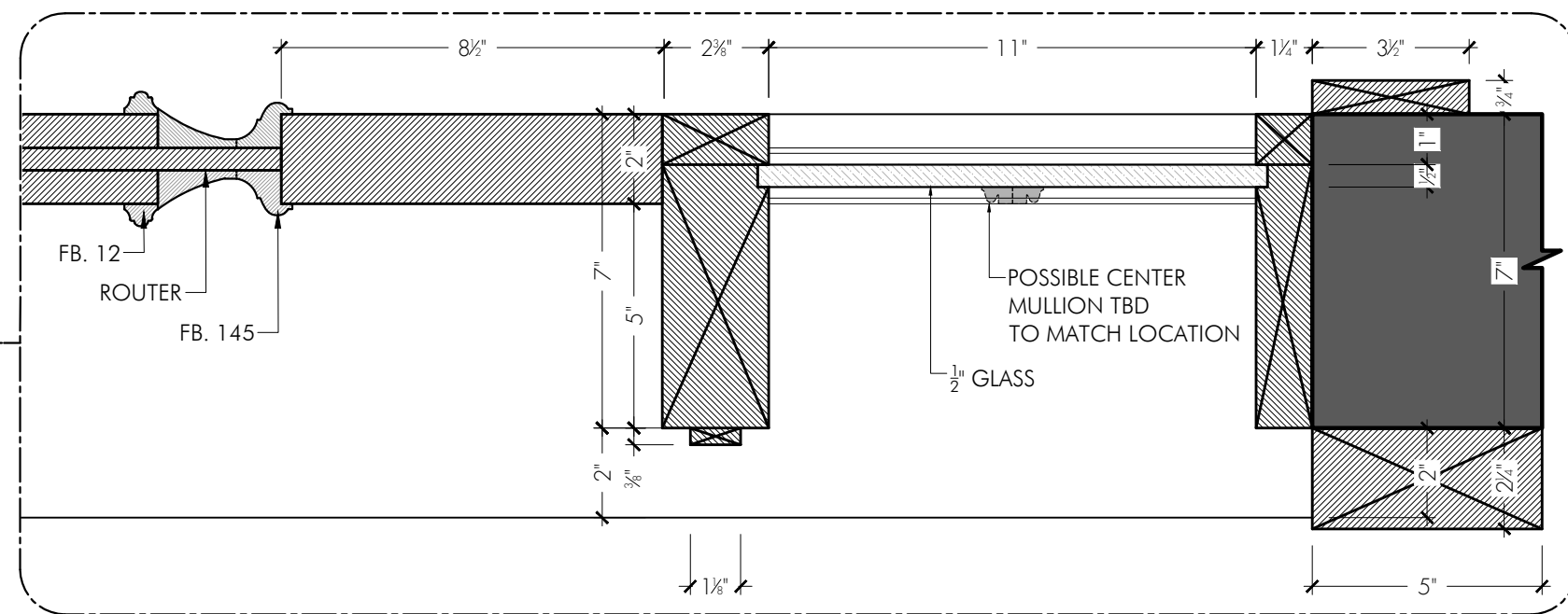
3 FRONT DOOR - SECTION
SCALE: 1/2" = 1'-0"



4 SIDE LIGHT - SECTION
SCALE: 1/2" = 1'-0"



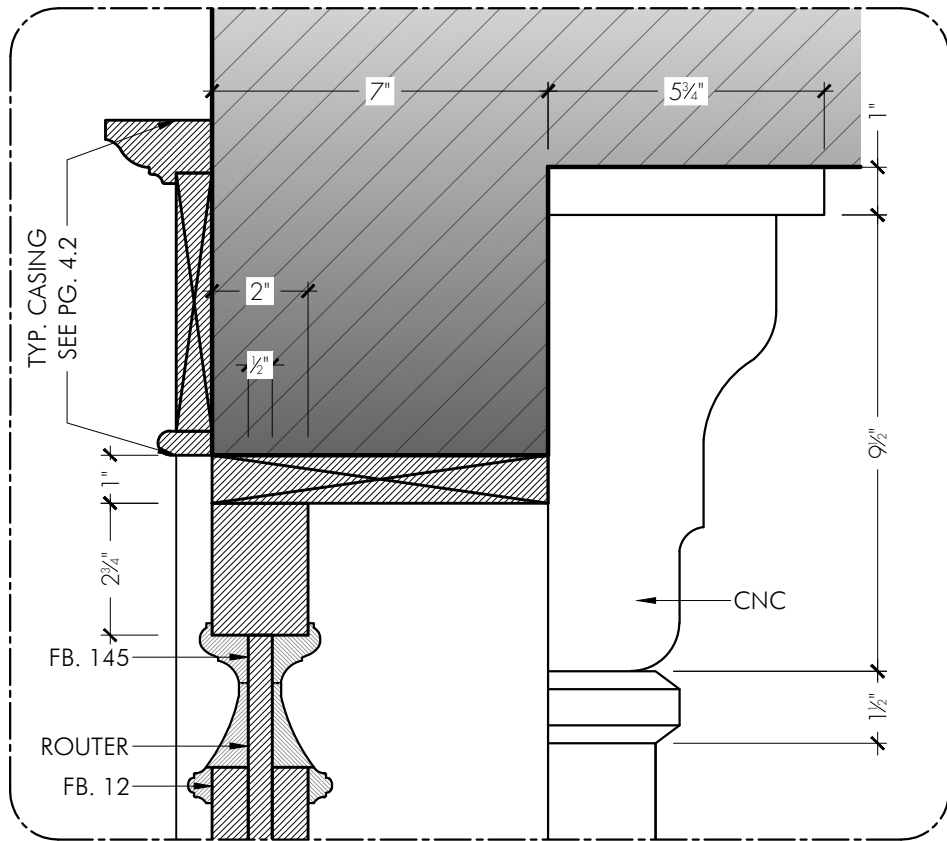
5 FRONT DOOR - PLAN
SCALE: 1/2" = 1'-0"



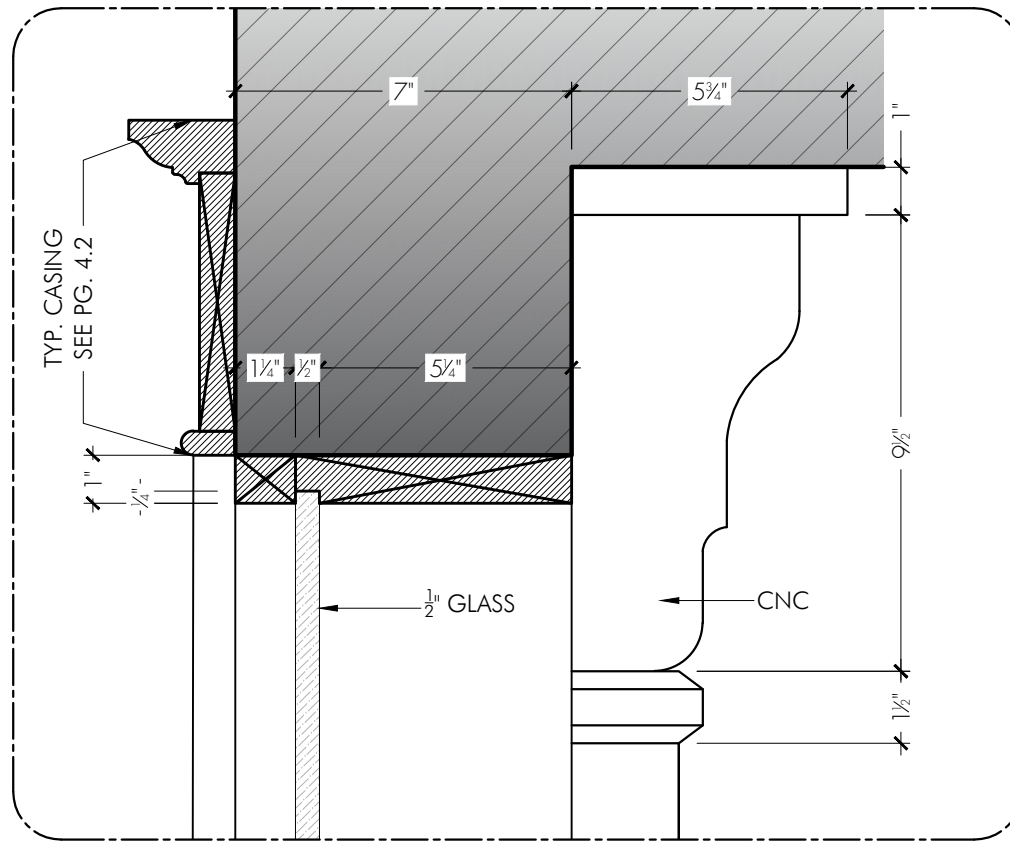
6 FRONT DOOR - DETAIL
SCALE: 3" = 1'-0"

ISSUED
04/18/2022
PRODUCTION DESIGNER

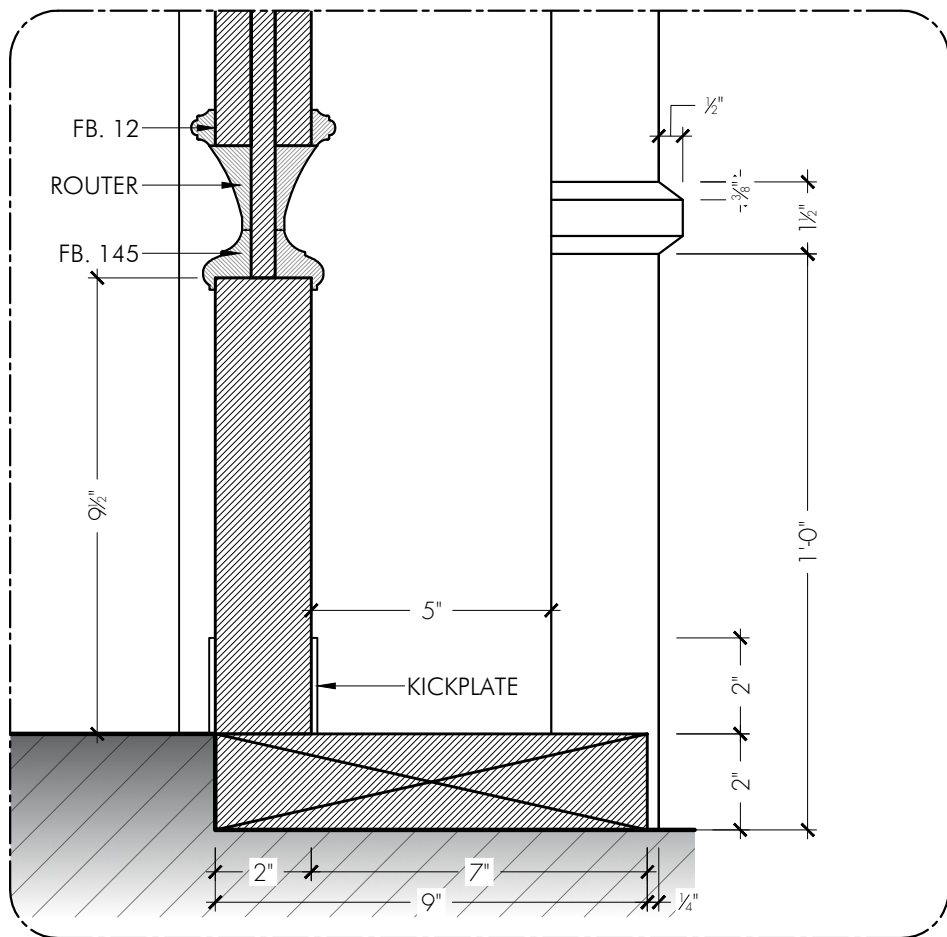
	SET NAME: INT - TALLY'S HOUSE	
	DRAWING: FRONT DOOR DETAILS	
LOCATION: STAGE 3		
DRAWN BY: AM		
EP #: AMORT	SCALE: AS NOTED @ 11 x 17	DATE: April 18, 2022
PRODUCTION DESIGNER: ANDREW STEARN	SET #:	DWG #:
ART DIRECTOR: BRADLEY GREAVES	999-050	4.16



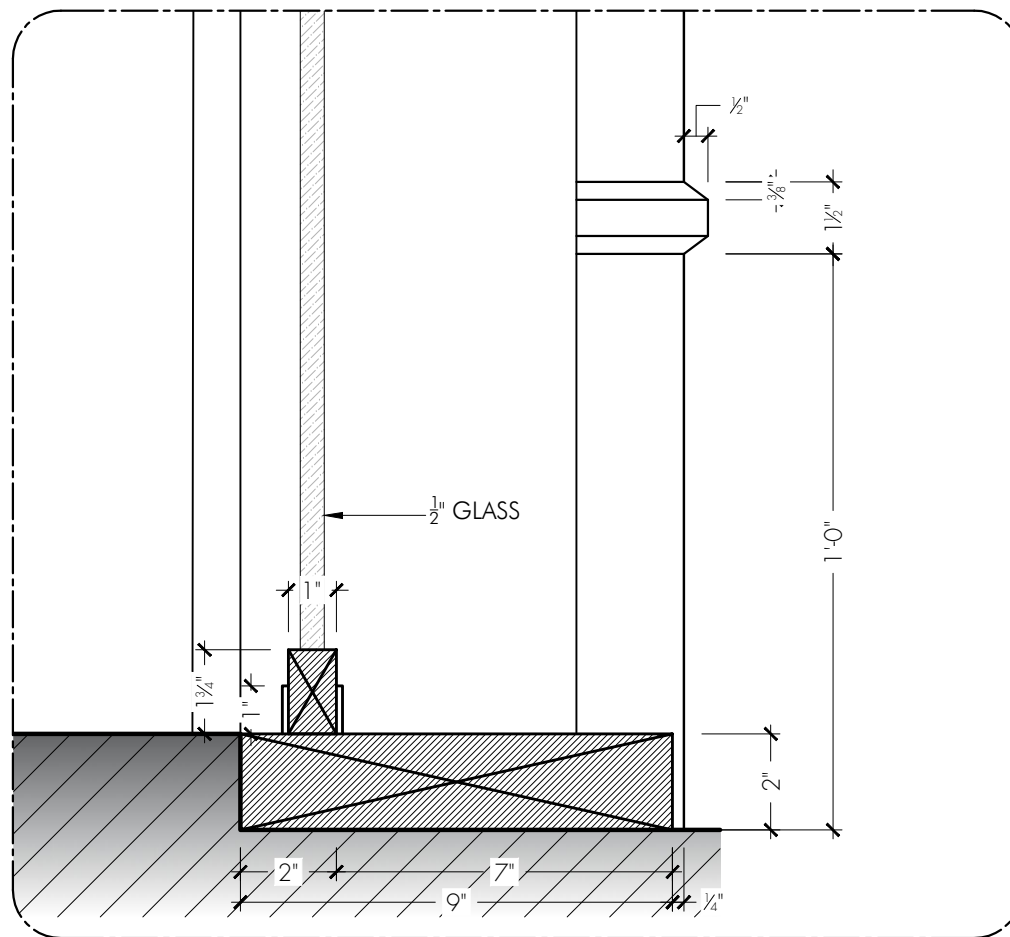
1 FRONT DOOR - DETAIL
4.17 SCALE: 3" = 1'-0"



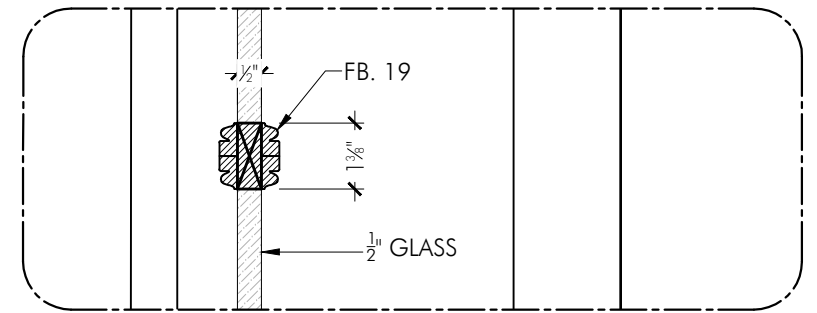
3 SIDE LIGHT - DETAIL
4.17 SCALE: 3" = 1'-0"



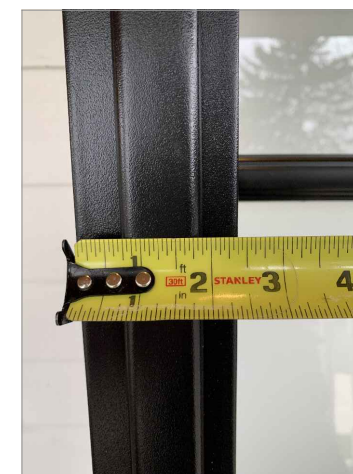
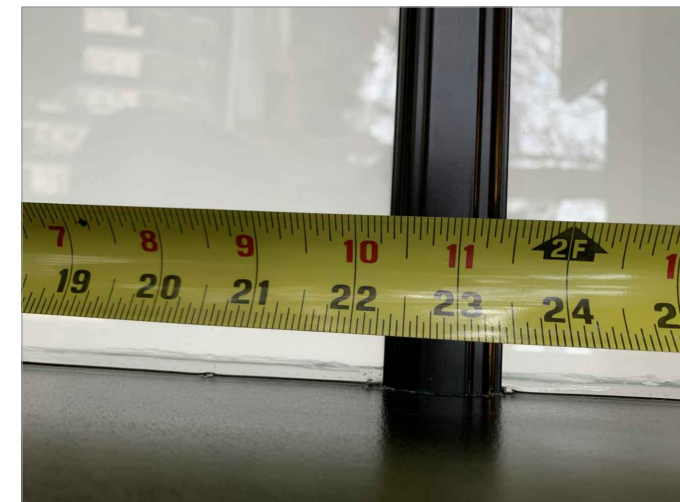
2 FRONT DOOR - DETAIL
4.17 SCALE: 3" = 1'-0"



4 SIDE LIGHT - DETAIL
4.17 SCALE: 3" = 1'-0"



5 SIDE LIGHT - DETAIL
4.17 SCALE: 3" = 1'-0"



ISSUED
04/18/2022
PRODUCTION DESIGNER

	SET NAME: INT - TALLY'S HOUSE	
	DRAWING: FRONT DOOR DETAILS	
LOCATION: STAGE 3		
DRAWN BY: AM		
EP #: AMORT	SCALE: AS NOTED @ 11 x 17	DATE: April 18, 2022
PRODUCTION DESIGNER: ANDREW STEARN	SET #:	DWG #:
ART DIRECTOR: BRADLEY GREAVES	999-050	4.17

